



# Installation, Use and Maintenance Manual for model

---

## **R1K 60**

---

Premix condensing system boiler  
only heating

**CE 0476**

R1K 60 - RAD - ING - Manuale - 2011.1\_SKM1\_NO\_INAIL\_firm.L224G



## SUMMARY

INTRODUCTION	4
--------------	---

## 1. INSTALLER SECTION 7

<b>1.1. INSTALLATION</b>	<b>8</b>
1.1.1. GENERAL INSTALLATION WARNINGS	8
1.1.2. BOILER LOCATION ENVIRONMENTAL REQUIREMENTS	8
1.1.3. REFERENCE LEGISLATION	9
1.1.4. BOILER OVERALL DIMENSIONS	10
1.1.5. JIG	10
1.1.6. OVERALL DIMENSIONS OF THE HEATING ONLY MODULE	10
1.1.7. OVERALL DIMENSIONS OF THE MODULE FOR REMOTE BOILER SUPPLY	11
1.1.8. MECHANICAL SYSTEM DIAGRAM	12
1.1.9. SYSTEM ACCESSORIES	14
1.1.10. CIRCULATOR PREVALENCE/FLOW DIAGRAM	16
1.1.11. GENERATOR INSTALLATION	17
1.1.12. HYDRAULIC CONNECTION	20
1.1.13. CHARACTERISTICS OF THE WATER OF THE SYSTEM	21
1.1.14. SYSTEM FILLING	23
1.1.15. FILLING THE CONDENSATE COLLECTION SIPHON	24
1.1.16. ANTI-FREEZE PROTECTION	25
1.1.17. GAS CONNECTION	26
1.1.18. ELECTRICAL CONNECTION	26
1.1.19. POWER SUPPLY	27
1.1.20. OPTIONAL ELECTRICAL CONNECTIONS	28
1.1.21. FUME EXHAUST FITTINGS	32
1.1.22. TYPES OF FUME EXHAUST SYSTEMS	33

## 2. SUPPORT CENTER SECTION 37

<b>2.1. FIRST START-UP</b>	<b>38</b>
2.1.1. PRELIMINARY OPERATIONS FOR FIRST START-UP	38
2.1.2. BOILER COMMISSIONING	39
2.1.3. CO <sub>2</sub> VALUE CHECK AND CALIBRATION	40
2.1.4. ACCESSING AND PROGRAMMING THE PARAMETERS	41
2.1.5. DIGITECH CS PARAMETERS TABLE	43
2.1.6. ELECTRIC FAN FREQUENCY/HEAT CAPACITY DIAGRAM	52
<b>2.2. MAINTENANCE</b>	<b>53</b>
2.2.7. GENERAL MAINTENANCE WARNINGS	53
2.2.8. TECHNICAL DATA	54
2.2.9. TECHNICAL ASSEMBLY	57



2.2.8. HYDRAULIC BOARD .....	58
2.2.9. WIRING DIAGRAM .....	59
2.2.13. ACCESSING THE BOILER .....	60
2.2.10. ACCESSING THE ELECTRONIC BOARD .....	61
2.2.11. SYSTEM EMPTYING .....	62
2.2.12. FAULT SIGNALLING CODES .....	63
2.2.13. ACTIVE FUNCTIONS SIGNALLING CODES .....	67
2.2.14. GAS TYPE TRANSFORMATION .....	68

## **3. USER SECTION 69**

<b>3.1. USE .....</b>	<b>70</b>
3.1.1. GENERAL USE WARNINGS .....	70
3.1.2. CONTROL PANEL .....	71
3.1.3. DISPLAY ICONS .....	72
3.1.4. INFO MENU DISPLAY DATA .....	73
3.1.5. START-UP .....	74
3.1.6. OPERATING MODE .....	74
3.1.7. INFORMATIONAL NOTE ON ANTI-FREEZE FUNCTION .....	75
3.1.8. FAULT SIGNALLING CODES .....	76
3.1.9. ACTIVE FUNCTIONS SIGNALLING CODES .....	78

## INTRODUCTION

### WARNING

Before starting any operation it is mandatory to read this instruction manual, in relation to the activities to be carried out as described in each relevant section. Proper operation and optimal performance of the boiler are ensured by strict compliance with all the instructions given in this manual.

The installation, use and maintenance manual is an integral and essential part of the product and must be delivered to the user.

### MANUAL USERS

The manual users are all those who install, use and maintain the boiler.

The boiler must be used and accessed only by qualified operators that fully read and understood the use and maintenance manual, paying particular attention to the warnings.

### READING AND SYMBOLS OF THE MANUAL

To ease the understanding of this manual, recurrent symbols where used, in particular:

- › On the outer margin of the page is placed a thumb index indicating the type of user to which the instructions in that section address.
- › The titles are differentiated by thickness and size in accordance with their hierarchy.
- › The images contain important parts described in the text, marked with numbers or letters.
- › (See chap “chapter name”): this entry indicates another section in the Manual that you should refer to.
- › Device: this term is used referring to the boiler.



### DANGER

*It identifies an information related to a general danger that if not complied with, may cause serious personal damage or even death.*



### ATTENTION

*It identifies an information that if not complied with may cause small or medium level lesions to the person or serious deterioration to the boiler.*



### WARNING

*It identifies a precaution information that must be observed in order to avoid damaging the machine or parts of it.*

### MANUAL STORAGE

The manual must be carefully stored and replaced in case of deterioration and/or low legibility.

If you misplace the use and maintenance manual, you can request it from the Technical Support Centre giving the serial number and model of the boiler indicated on the plate placed on the right side of its casing.

As an alternative, the use and maintenance manual can be downloaded free from the on-line site [www.radiant.it](http://www.radiant.it), accessing the “download” section and entering the boiler model.



## MANUFACTURER WARRANTY AND RESPONSIBILITY

The warranty of the Manufacturer is provided only through its own authorized Technical Support Centres, listed for each Region and Province on the site [www.radiant.it](http://www.radiant.it), and covers all conformity defects at the moment of sale.

The technical and functional features of the device are ensured by its use in compliance:

1. with the use and maintenance instructions contained in the manuals accompanying the product, the content of which the customer certifies that he is aware;
2. with the conditions and purposes to which assets of the same type are intended.

For more information on the warranty validity, its duration, the obligations and the exemptions, please consult the First start-up certificate attached to this manual.

The manufacturer reserves:

- › the right to modify the tools and relative technical documentation without any obligation to third parties; neither will the company be held responsible for any inaccuracies in this handbook deriving from printing or translation errors;
- › the material and intellectual ownership of this manual and forbids its distribution and duplication, even partial, without prior written authorization.

## PRODUCT CONFORMITY

RADIANT BRUCIATORI spa declares that its gas boilers comply with the European Directives and with the requirements provided in the European standards below:

- › Eco-design Directive 2009/125 CE,

- › Energy labeling Directive 2010/30/CE,
- › Regulation EU 811/2013,
- › Regulation EU 813/2013,
- › Regulation EU 2016/426,
- › Electromagnetic compatibility Directive 2014/30/CE,
- › Performance Directive 92/42/CE,
- › Low voltage Directive 2014/35/CE.

The materials used such as copper, brass, stainless steel create a homogeneous, compact and functional assembly, easy to install and manage. In its simplicity, the boiler is equipped with all accessories necessary to render it a veritable independent heating unit. All boilers are tested and delivered with a quality certificate signed by the tester.





# 1. INSTALLER SECTION

The installation operations described in this section should be performed only by qualified personnel, having the appropriate technical training in the field for the installation and maintenance of components of civil and industrial domestic hot water production and heating plants.



### 1.1. INSTALLATION

#### 1.1.1. GENERAL INSTALLATION WARNINGS



##### ATTENTION

*This machine may be used only for the purpose for which it has been designed: heat water to a temperature below boiling point at atmospheric pressure. Any other use is considered wrong and dangerous. The manufacturer is excluded from any contractual or out of contract responsibility for damage caused to people, animals or property due to errors during installation.*



##### ATTENTION

*This boiler should be installed only by qualified personnel, having the appropriate technical training in the field for the installation and maintenance of components of civil and industrial domestic hot water production and heating plants.*



##### ATTENTION

*After having removed the packing, make sure the equipment is intact. In case of doubt, do not use the equipment and contact the supplier.*

**BEFORE INSTALLING THE BOILER, THE INSTALLER MUST MAKE SURE THAT THE FOLLOWING CONDITIONS ARE MET:**

- › The device is connected to a heating plant and a water supply network appropriate for its power and performance.
- › The location must be properly vented through an air vent.
- › The air vent must be placed at floor level to prevent it from being obstructed, protected by a grid that does not hamper the useful section of passage.

- › The device is suitable for use with the type of gas available by checking the boiler data plate (placed on the inner side of the front casing).
- › Make sure that the tubes and couplings are perfectly sealed, without any gas leaks.
- › Make sure that the grounding system works properly.
- › Make sure that the electrical systems is suitable for the maximum power absorbed by the equipment, value indicated on the data plate.



##### WARNING

*Use only original RADIANT optional or kit accessories (including electrical).*

#### 1.1.2. BOILER LOCATION ENVIRONMENTAL REQUIREMENTS

The boiler has a thermal power over 35 kW and, therefore, it must be installed only into a heating unit.

The device's installation location should be vented due to the presence of threaded joints on the gas adduction line. The location should be therefore provided with vents as to ensure air exchange, with output grid in the natural accumulation area of eventual gas losses.



##### WARNING

*DO NOT install the boiler in a technical compartment near a swimming pool or a laundry, to avoid that the combustion air is exposed to chlorine, ammonia or alkaline agents that may worsen the corrosion phenomenon of the heat exchanger. Failure to observe this caution will void the warranty of the heat exchanger.*



**WARNING**

*If the temperature in the boiler installation location goes below -10 centigrades, please fill the plant with anti-freeze liquid and insert and electrical resistances kit (see chapter 'ANTI-FREEZE PROTECTION').*

**WARNING**

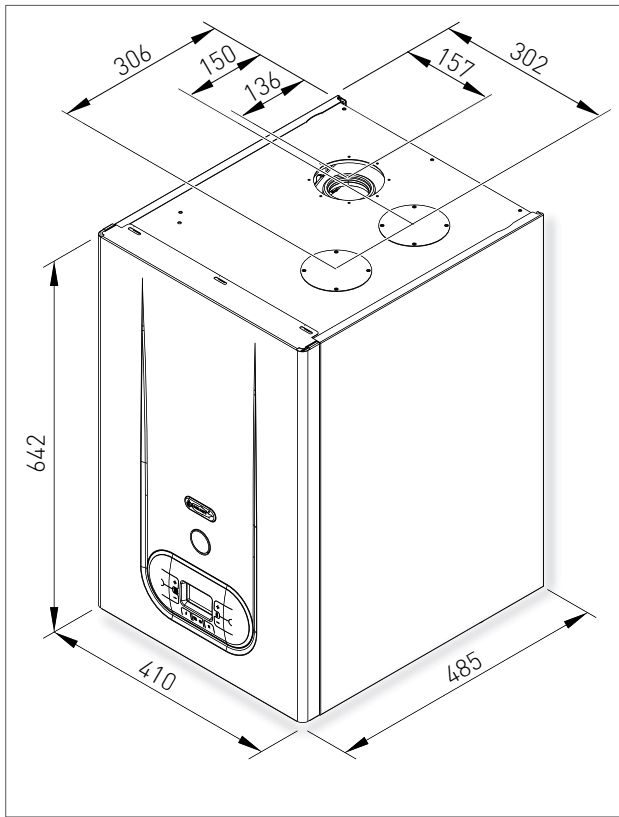
*The manufacturer will not be held responsible for damages caused by incorrect installation not in conformity with the over mentioned instructions and not protected adequately from the freeze.*

---

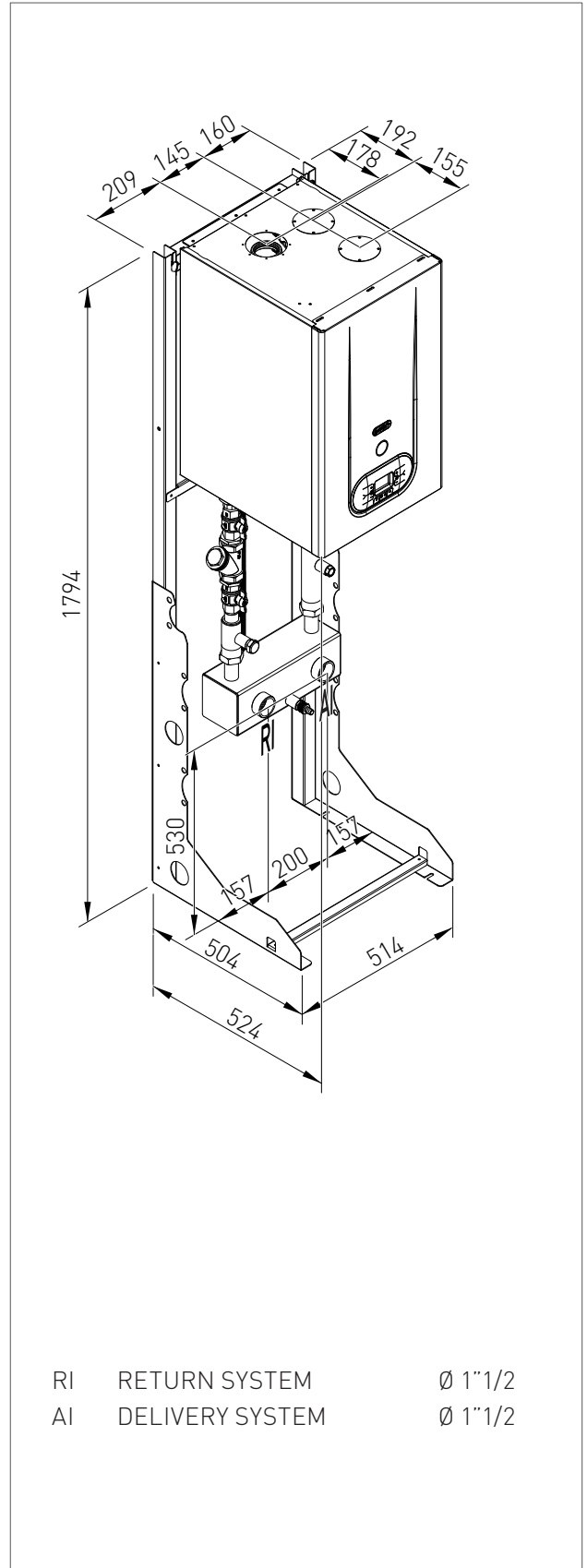
### 1.1.3. REFERENCE LEGISLATION

The installation must be realized according to the requirements of current legislation and in compliance with local technical regulations, according to the indications of the good technique.

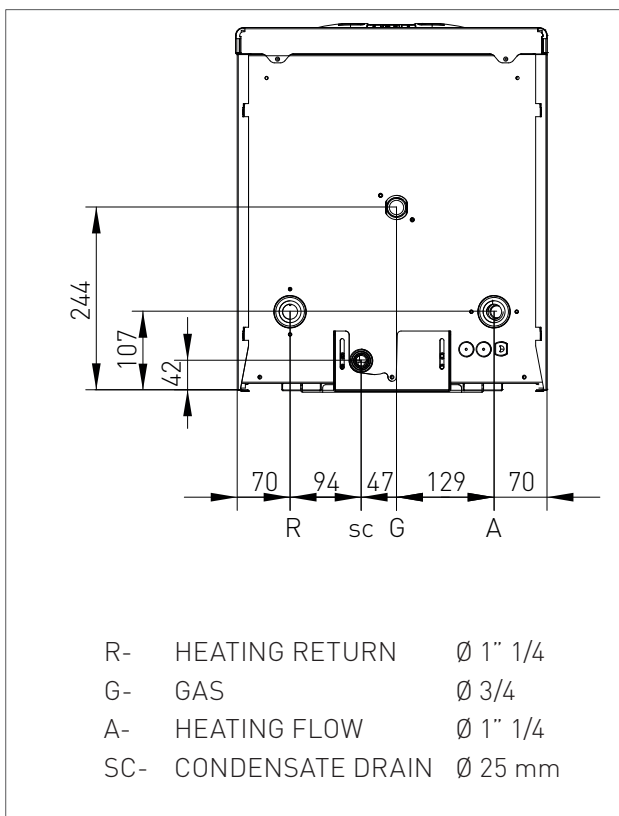
1.1.4. BOILER OVERALL DIMENSIONS



1.1.6. OVERALL DIMENSIONS OF THE HEATING ONLY MODULE



1.1.5. JIG



- R- HEATING RETURN      Ø 1" 1/4
- G- GAS                      Ø 3/4
- A- HEATING FLOW        Ø 1" 1/4
- SC- CONDENSATE DRAIN   Ø 25 mm

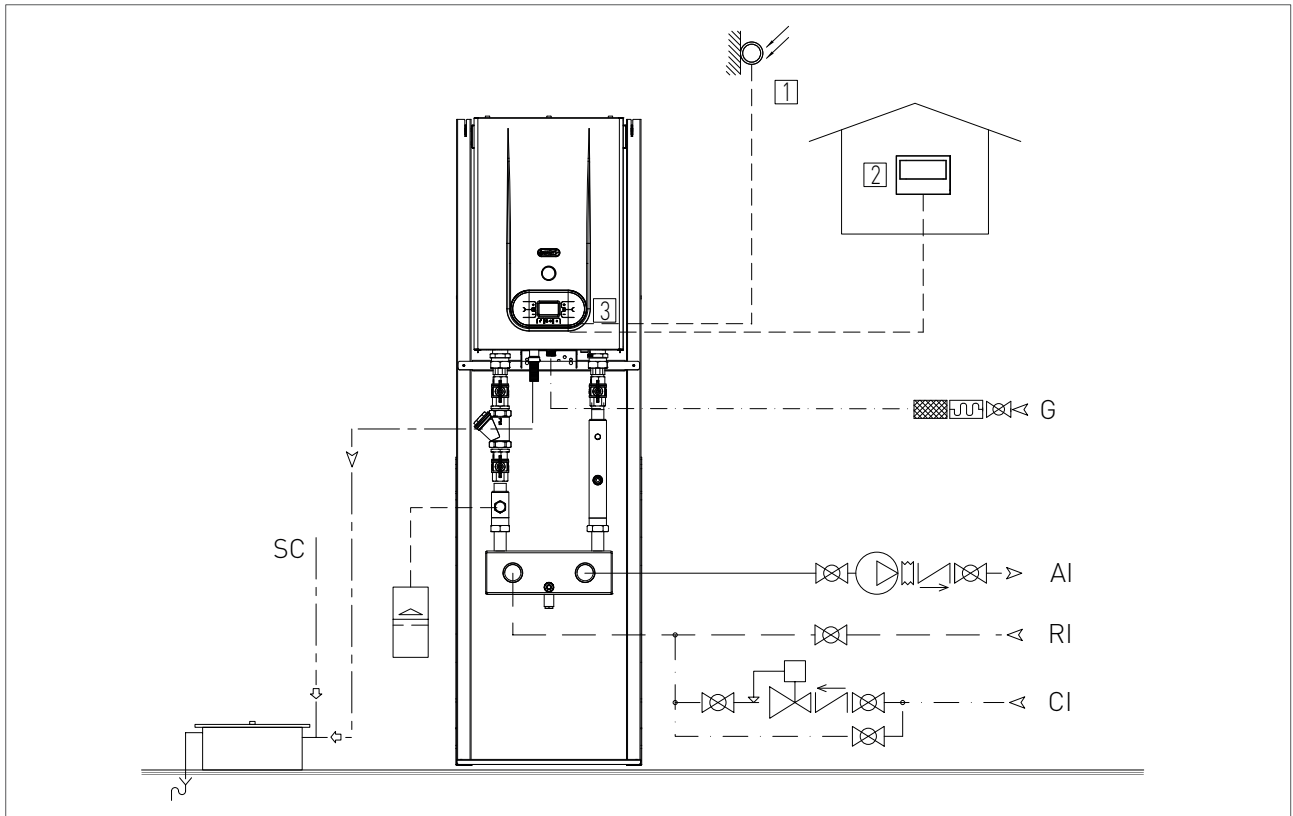
- RI RETURN SYSTEM      Ø 1"1/2
- AI DELIVERY SYSTEM    Ø 1"1/2



## 1.1.8. MECHANICAL SYSTEM DIAGRAM

### HEATING ONLY INSTALLATION

The boiler can manage a heating system at a fixed point delivery temperature or in climatic compensation with an external probe, managing the modulation according to the actually requested thermal load.



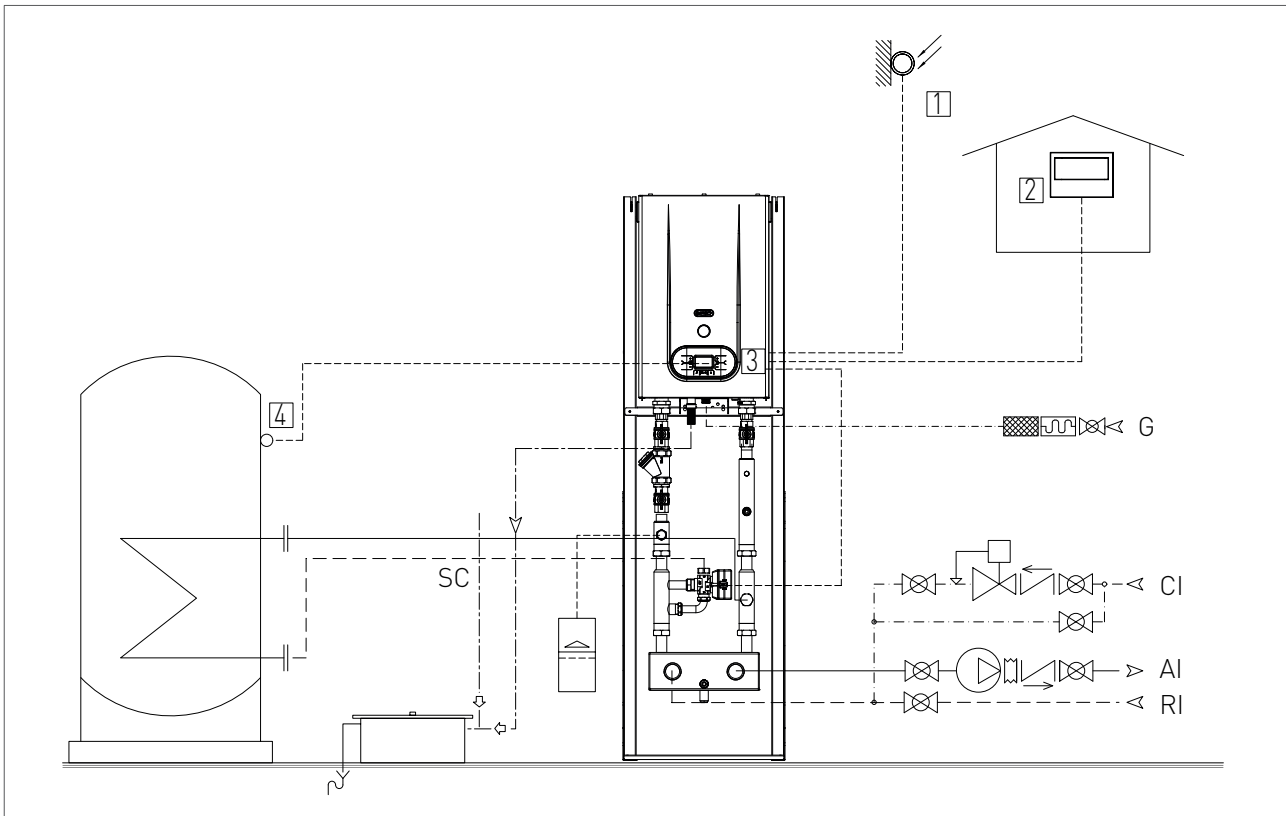
#### DESCRIPTION

- 1 EXTERNAL PROBE
- 2 REMOTE OPEN THERM
- 3 CONTROL PANEL
- AI LOAD SYSTEM
- RI RETURN SYSTEM
- CI DELIVERY SYSTEM
- G GAS
- SC FUME EXHAUST SYSTEM CONDENSATE

## HEATING INSTALLATION + REMOTE BOILER SUPPLY SYSTEM

The boiler can manage a heating system at a fixed point delivery temperature or in climatic compensation with an external probe, managing the modulation according to the actually requested thermal load.

The boiler probe activates the system in order to pre-heat the boiler, the boiler will be put into domestic circuit mode and the deviating valve switches to the remote boiler.



### DESCRIPTION

- |    |                                |
|----|--------------------------------|
| 1  | EXTERNAL PROBE                 |
| 2  | REMOTE OPEN THERM              |
| 3  | CONTROL PANEL                  |
| 4  | REMOTE BOILER NTC PROBE        |
| AI | LOAD SYSTEM                    |
| RI | RETURN SYSTEM                  |
| CI | DELIVERY SYSTEM                |
| G  | GAS                            |
| SC | FUME EXHAUST SYSTEM CONDENSATE |

## 1.1.9. SYSTEM ACCESSORIES

### DIVERTER VALVE KIT

The kit allows combining the thermal generator with a remote boiler for the production of domestic hot water (cod. 26097LP, fig. 1).

In this configuration, it is possible to manage the domestic circuit in an independent manner, by implementing a diverter valve which ensures the power supply of the serpentine upon the pre-heating request of the boiler.

The kit is completed with a probe for the external boiler and with a power supply cable of the diverter valve which is connected directly to the electronic board of the generator.

### HYDRAULIC SEPARATOR

In order to always ensure to the heat generator an operation without problems related to two low heat capacities (due, for example, to closed radiators or to impurities of various type), it is strictly necessary to install a trip unit, as an alternative, a heat exchanger which separates the hydraulic circuit.

Choosing a separation system in the detriment of another is exclusively imposed by the type of the system.

In case of a new system or in case of replacement of the generator with the possibility to wash the water pipes, it is recommended to install a hydraulic separator (code 26205LA, fig. 1).

The hydraulic separator creates an area with reduced load loss, which allows hydraulically rendering independent the primary and secondary circuits connected to it. With the hydraulic separator you can thus have a production circuit with constant heat capacity and a distribution circuit with variable heat capacity, operation conditions typically specific to modern air-conditioning systems.

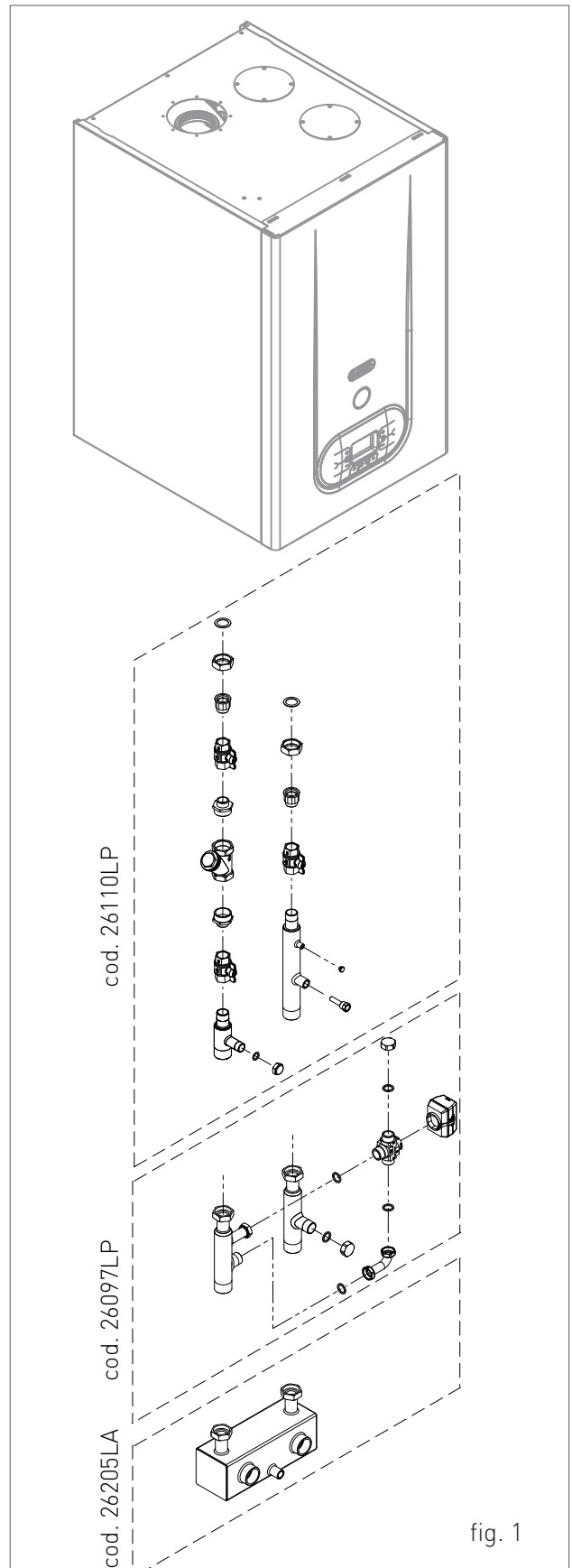


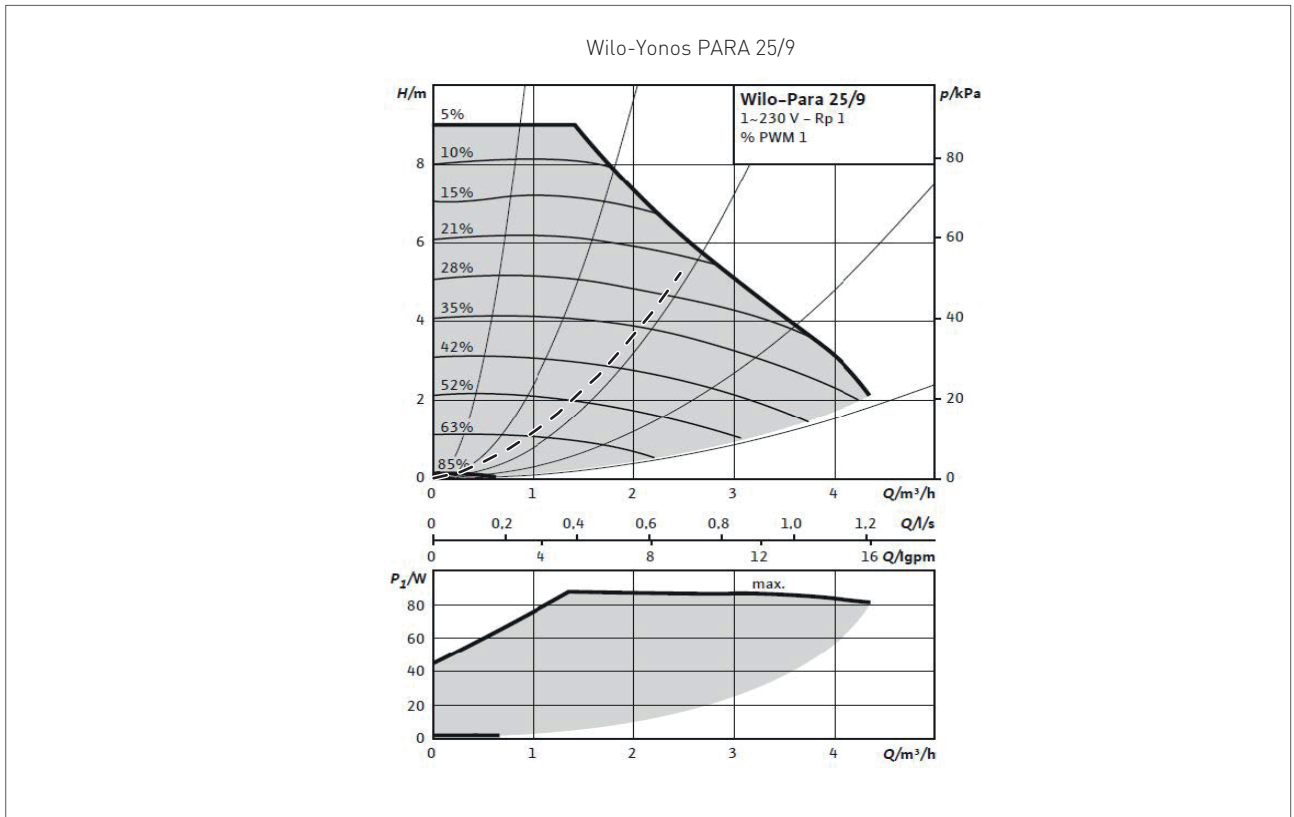
fig. 1



Particular attention should be given, during the design phase, to possible temperature variations to which the circuits can be subject due to the generated mixing inside the hydraulic separator.

A secondary circuit with a heat capacity higher than the circulatory one of the primary circuit generates, in fact, by means of the hydraulic separator, a delivery temperature lower than the one of the primary circuit.

1.1.10. CIRCULATOR PREVALENCE/FLOW DIAGRAM



--- Load losses of only one active unit



## 1.1.11. GENERATOR INSTALLATION

## MINIMAL TECHNICAL SPACES

In order to allow the access inside the boiler for maintenance operations, you have to respect the minimum technical spaces indicated in figure 1.

**WARNING**

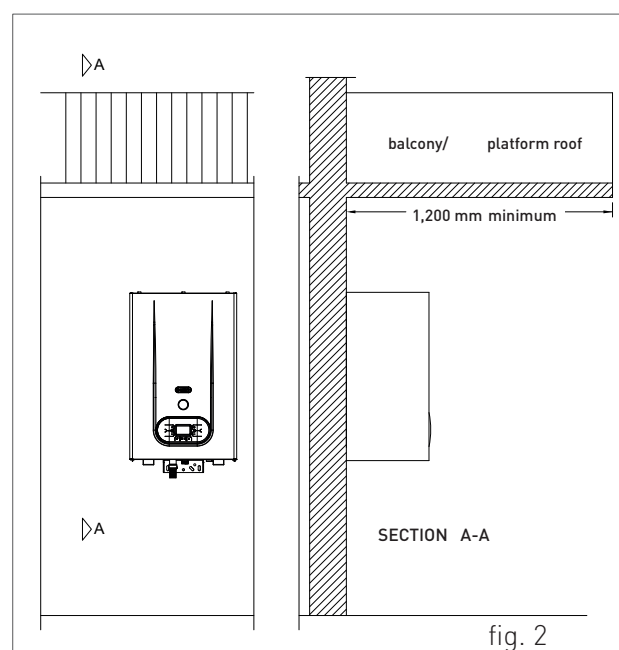
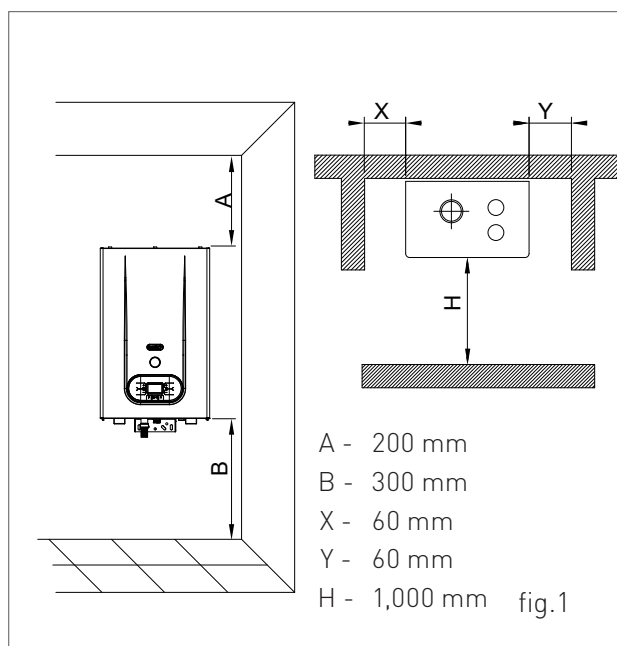
The incorrect slopes of the device can cause the incorrect discharge of condensate by means of the discharge duct with consequent condensate stagnation inside the condensate module.

**WARNING**

The boiler must be installed only on a vertical solid wall, able to sustain its weight.

**WARNING**

The boilers have the electrical protection degree IPX5D. The outdoor installation in partially protected environments (platform roof, balcony - see fig. 2) is allowed in compliance with the related standards. The Company is not held liable for installations in environments with a temperature under  $-10^{\circ}\text{C}$  or non-compliant with the above indications.



## WALL MOUNTING BY MEANS OF FIXING BRACKET



### WARNING

In order to avoid condensate stagnations inside the condensate module, check that the boiler is slightly inclined towards the rear part (1-1.5°) in order to evacuate the condensate.

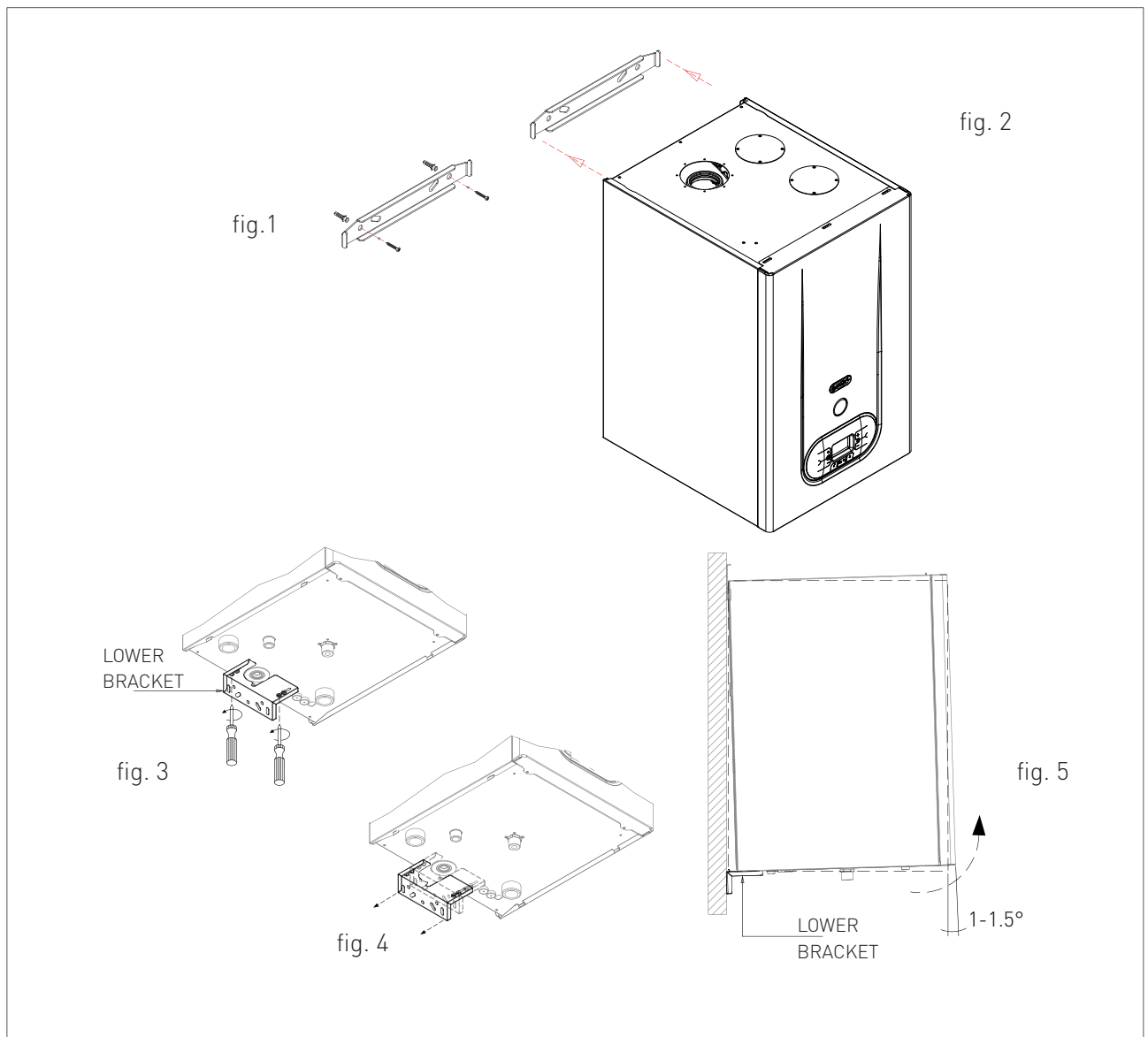


### WARNING

The device must be installed only on a vertical solid wall, able to sustain its weight.

In order to fix the thermal generator on the wall, proceed as follows:

1. fix on the wall (fig. 1), using the fisher, the upper bracket;
2. hook the eyelets of the boiler into the adequate hooks (fig. 2);
3. unscrew the fixing screws of the lower bracket (fig. 3) ensuring the free sliding of the bracket (fig. 4) towards the boiler;
4. adjust the inclination of the boiler (fig. 5) by sliding the lower bracket ensuring an inclination of the boiler, against the vertical, of about 1–1.5°.



## INSTALLATION ON SELF-SUPPORTING FRAME

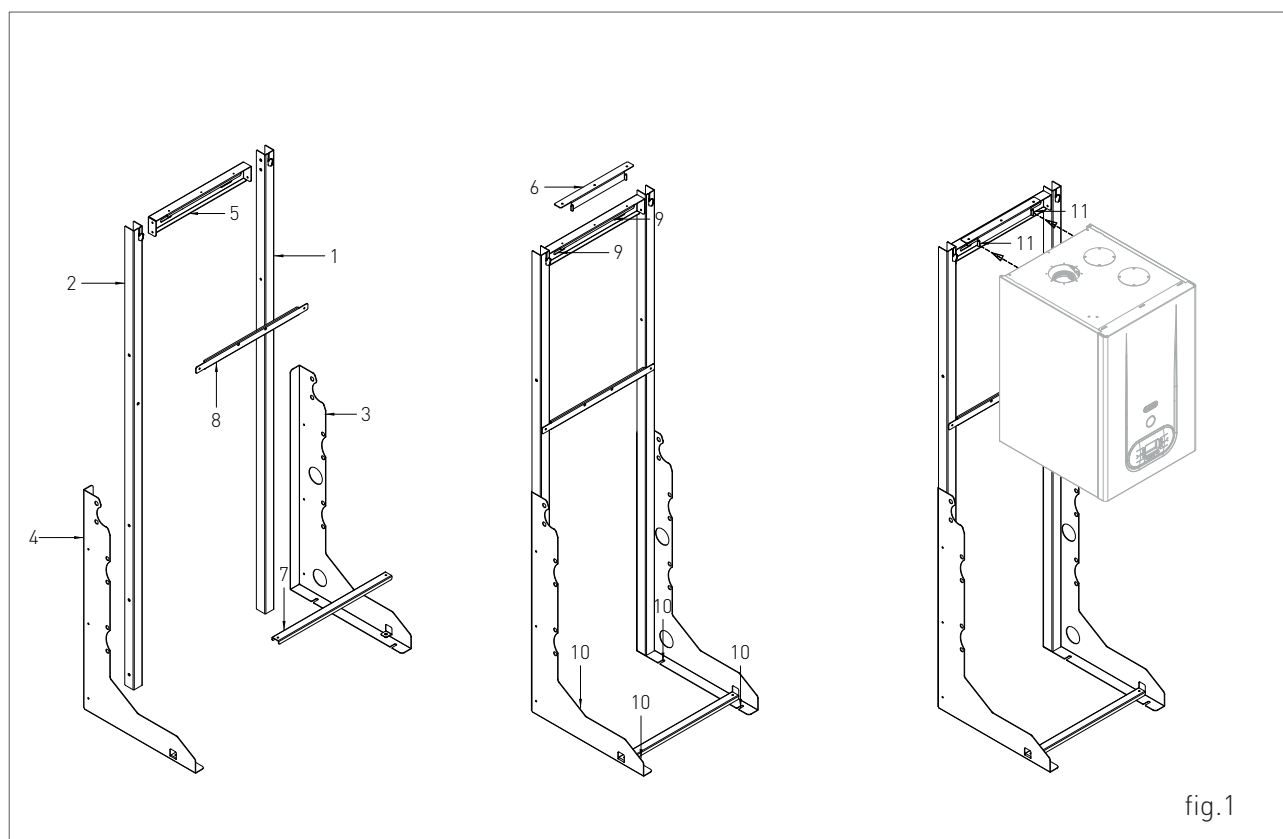


### WARNING

During the installation of the heat generator, pay maximum attention to the installation of the self-supporting frame. The frame must rest on a perfectly flat surface and, when supported against the wall, the latter must be perfectly angled. The incorrect slopes of the device can cause the incorrect discharge of condensate by means of the discharge duct with consequent condensate stagnation inside the condensate module. The correct installation of the frame allows obtaining, acting on the lower bracket, a counterslope of the device against the perpendicular.

In order to mount the frame and therefore the generator, proceed as follows:

1. check the angle of the wall with the floor;
2. assemble the side profiles 3 and 4 on the pillars 1 and 2 (fig. 1);
3. assemble the side pillars 1 and 2 on the horizontal crossbeam 5;
4. assemble the central crossbeam 8 and the lower one 7;
5. complete the assembly, position the frame binding it to the wall 9 (if provided) and on the floor 10;
6. mount the upper bracket 6 and hook the eyelets of the boiler into the adequate hooks 11;
7. make sure that the frame is angled, adjust the inclination of the boiler by means of the lower bracket (see "Wall mounting by means of fixing bracket") ensuring an inclination of the boiler, against the vertical, of about 1–1.5°;
8. complete the installation by assembling the hydraulic components.



## 1.1.12. HYDRAULIC CONNECTION

**DANGER**

*Make sure that the tubes of the water and heating plant are not used as grounding system for the electrical plant. There are not suitable for such use.*

**WARNING**

*To prevent voiding the warranty and to ensure the proper operation of the boiler, please wash the plant (if possible when hot) with suitable pickling or descaling solutions in order to remove the impurities coming from tubes and radiators.*

**WARNING**

*If the boiler is installed in a hydrostatic position lower than those of the user devices (radiators, fan coils, etc.), mount the shut-off valves on the domestic water heating circuit to ease the performance of the maintenance operations if it is necessary only to empty the boiler.*

**WARNING**

*When connecting the equipment to water supply, avoid excessive bending and recovery operations from any off axis positioning that may damage the tubes causing leaks, malfunction or early wear.*

**WARNING**

*In order to avoid any vibrations and noises, do not use tubes with small diameters or elbows with small radius and significant cut-off of the passage sections.*

**WARNING**

*Connect the boiler safety drains to a discharge funnel. The manufacturer is not responsible for any floods due to safety valve opening in case of plant overpressure.*

**DOMESTIC CIRCUIT**

In order to prevent limestone build-up and damages to the domestic water heat exchanger, the hardness of the domestic supply water should not exceed 15°F. However, please check the characteristics of the water used and install suitable treating devices.

The heat exchanger coil cleaning frequency depends on the hardness of the supply water and on the presence of solid residues or impurities inside the water that are often present in case of recently installed plants. Based on the characteristics of the infeed water, you should install suitable water treating devices, for residues presence please install a line filter.

The pressure of the cold infeed water should be between 0.5 and 6 bar. In case of greater pressure values, please install a pressure reducer upstream from the boiler.

**HEATING CIRCUIT**

In order to prevent limescale build-up or deposits on the primary heat exchanger, the hardness of the domestic water supply should not exceed 25°F. However, please check the characteristics of the water used and install suitable treating devices.

This treatment is mandatory if frequent episodes of return water or partial or total emptying of the plant occur.

**WARNING**

*In case of direct supply, by a generator, of a low temperature system, install a security thermostat on the delivery which interrupts the operation of the generator in case of high delivery temperature. The company is not held liable for resulting damages to persons or things due to the non-observance of such indication.*



### 1.1.13. CHARACTERISTICS OF THE WATER OF THE SYSTEM

**For a correct operation of the system, it is necessary to make sure that:**

1. The system does not present losses or that the most obvious are at least eliminated;
2. If an automatic filling system is present, a litre meter must be installed in order to precisely know the extent of any losses;
3. The filling in of the system and the top ups are performed with softened water in order to reduce the total hardness. The water must also be treated in order to maintain the pH within the provided threshold so as to avoid corrosion phenomena.
4. Either on new systems or on replacements, the system must be fitted with efficient systems which ensure the elimination of the air and impurities: Y filters, micro impurity separators and micro bubbles of air separators;
5. Avoid draining the water of the system during the routine maintenance even if it is about apparently insignificant quantities: for example, in order to clean the filters, provide the system with adequate shut-off valves;
6. Always perform an analysis of the water of the system before opening the communication between the new generator and the system, in order to establish if the parameters present in the water indicate the need to fully drain the system, to use the water already present in the system or to chemically wash the system using utility water adding a detergent when it is suspected that the system might be dirty or particularly clogged and at the next loading with new treated water.

#### Water treatment

In order to preserve the integrity of the water-fume exchanger and to guarantee optimal thermal exchanges, it is necessary that the water of the primary circuit, circulating inside the exchanger of the condensate boiler, has the characteristics defined and constant in time. To obtain this, it is fundamental to perform a series of system preparation and maintenance operations such as:

- washing the system;
- check the characteristics of the water of the system;

The type of treatment to be performed will be chosen based on the characteristics of the water to treat, of the type of system and on the requested purity limits

#### Oxygen

A certain amount of oxygen always enters the system, both during the filling phase and during the use in case of reintegration or presence of hydraulic components without oxygen barriers. The reaction between the oxygen and the stainless steel creates corrosion and forms sludge. While the water fume exchanger is made of stainless steel, and therefore it is not subject to corrosion, the sludge created in the carbon steel system is deposited in the warm points, including the exchanger. This has the effect to reduce the heat capacity and thermally insulate the active parts of the exchanger, which might cause damages.

The precautions to limit the phenomena are:

- Mechanical systems: a deaerator combined with a sludge remover, correctly installed, reduce the quantity of oxygen circulating inside the system.
- Chemical systems: the additives allow the oxygen to dissolve in water.



## 1. INSTALLATION

### Hardness

The filling and make-up water hardness brings a certain amount of limestone into the system. It attacks the warm parts of the exchanger, thus creating load losses and thermal insulation losses on the active parts. This phenomena can cause damages.

The filling and make-up water of the system, if it does not fall under the values indicated below, should be softened. Moreover, additives can be added in order to maintain the limestone into the solution. The hardness must be periodically checked and registered.

Acidity	<b>7 &lt; pH &lt; 8.5</b>	
Conductivity	<b>&lt; 400</b>	µs/cm (at 25°C)
Chlorides	<b>&lt; 125</b>	mg/l
Iron	<b>&lt; 0.5</b>	mg/l
Copper	<b>&lt; 0.1</b>	mg/l

If the above indicated limits are exceeded, a water must be chemically treated.

The type of treatment to be performed will be chosen based on the characteristics of the water to treat, of the type of system and on the requested purity limits.

## 1.1.14. SYSTEM FILLING

**WARNING**

For system filling use only clean tap water. In order to prevent limestone build-up and damages to the domestic water heat exchanger, the hardness of the domestic supply water should not exceed 15° Fr. However, please check the characteristics of the water used and install suitable treating devices.

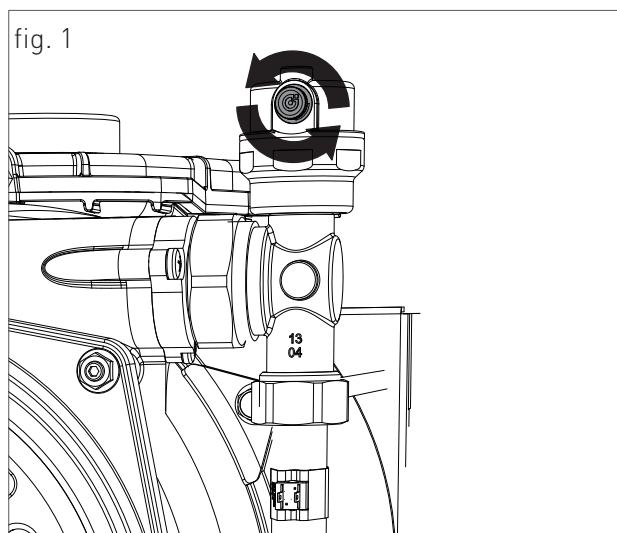
**WARNING**

If the system is filled by adding ethylene glycol-type chemical agents you have to install on the loading system a hydraulic trip unit in order to separate the heating circuit from the domestic circuit.

Before powering up the boiler, fill the system as follows:

1. slightly loosen the cap of the jolly valve placed on the top of the condensing block to release the air from the top of the system (fig.1);
2. check that the jolly valves vent the air present in the system are not blocked;
3. open the general domestic water input tap and load the system by exhaling all the air;
4. use pressure gauge present in the system to make sure that the system pressure reaches the design value;
5. after performing this operation, make sure that the loading tap is properly closed.
6. Open the air relief valves of the radiators and check the air removal process. When the water starts to leak close the radiators air relief valves.
7. If after performing these operations you observe a decrease of the water pressure inside the system, open once again the loading

tap until the pressure gauge reaches the design pressure.





## 1. INSTALLATION

### 1.1.15. FILLING THE CONDENSATE COLLECTION SIPHON

Before starting the boiler you have to fill the condensate collection siphon in order to avoid flue reflux through the siphon.

Fill the condensate collection siphon as follows (see fig. 1):

- > With a glass pour the water in the heat exchanger's flue exhaust duct outlet (see fig. 1), up to fill the condensate trap to the highest point "T" (fig. 1);
- > Connect the dedicated flexible condensate draining tube to a waste disposal system. The condensate can be drained directly in the sewerage system by inserting an easily serviceable siphon.

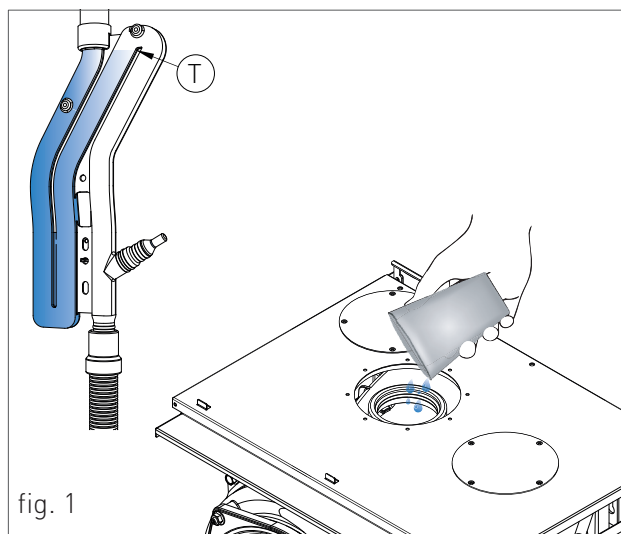


fig. 1





### 1.1.16. ANTI-FREEZE PROTECTION

The boiler is protected against freezing thanks to the electronic board preparation with functions that start the burner and heat the concerned parts when their temperature goes below the minimum pre-set values, protecting the boiler up to an external temperature of -10 °C.

The device starts when the hot water temperature goes below 8 °C, automatically starting the burner until the heating flow water temperature reaches the 30°C and, in presence of a return sensor, until the heating return water temperature reaches the 20°C.

The system starts even if on the display appears "OFF", as long as the boiler is connected to the power (230 V) and gas supply.

For long periods of standby, please empty the boiler and the plant.

If the temperature goes below -10° centigrades, please fill the plant with anti-freeze liquid (CLEANPASS FLUIDO AG cod. 98716LA) and insert and electrical resistances kit (cod. 82259LP).

#### DILUTION PERCENTAGE OF CLEANPASS FLUIDO AG

ANTIFREEZE - ETHYLENE GLYCOL [%] VOLUME	TEMPERATURE FREEZING POINT [°C]
20	-7.5
30	-13
35	-18
40	- 22.5
45	-28
50	-33.5
55	-42
60	-50

RECOMMENDED MINIMUM PERCENTAGE OF GLYCOL : 20 %

## 1.1.17. GAS CONNECTION

**DANGER**

*In order to connect the gas connector of the boiler to the supply pipe use a stop seal of an appropriate size and material. The use of hemp, teflon tape or similar materials is strictly forbidden.*

**BEFORE PERFORMING THE GAS CONNECTION, MAKE SURE THAT:**

- › the gas adduction line complies with the standards and regulations in force;
- › the tubing's section suits the requested capacity and its length;
- › the tubing is equipped with all safety and control devices required by the standards in force;
- › the internal and external seals of the gas infeed plant are checked;
- › the device is suitable for use with the type of gas available by checking the boiler data plate (placed on the inner side of the front casing. If they do not match you must take the necessary measures to adapt the boiler to another type of gas (see chapter GAS TRANSFORMATION);
- › the gas supply pressure falls within the values indicated on the data plate.

## 1.1.18. ELECTRICAL CONNECTION

**DANGER**

*The equipment is electrically safe only if it is properly connected to an efficient grounding system, performed in compliance with the safety standards in force. You should check this essential safety requirement. If in doubt, request an accurate check of the electrical system performed by qualified staff, as the manufacturer is not responsible for any damages caused by lack of grounding system.*

- › Make sure that the electrical systems is suitable for the maximum power absorbed by the equipment, value indicated on the data plate.
- › make sure that the cables section is appropriate for the maximum power absorbed by the equipment and that it is however not lower than 1 mm<sup>2</sup>.
- › The equipment works with alternating current of 230 V and 50 Hz. The electrical connection must be performed using an all-pole switch with an opening of at least 3 millimetres between contacts placed upstream from the device.

**WARNING**

*Make sure that the phase and neutral cables connection is performed in compliance with the wiring diagram (see chapter POWER SUPPLY).*

**WARNING**

*It is strictly forbidden the use of adaptors, multiple plugs and/or extensions for the general power supply of the equipment from the electrical network.*

### 1.1.19. POWER SUPPLY

To power the boiler connect the electrical cables to the terminal inside the control panel as follows:



#### DANGER

*Cut off the voltage from the main switch.*

- › remove the boiler's front casing (refer to chapter ACCESSING THE BOILER).
- › loosen the two screws and remove the plate "A" (see fig. 1).
- › after removing the plate, connect the electrical cables to terminal "B" (see fig. 1):
  - the yellow/green cable to the terminal marked with grounding symbol "⊕".
  - the blue cable to the terminal marked with "N".
  - the brown cable to the terminal marked with "L".

After performing these operations, remount plate "A" and the front casing.

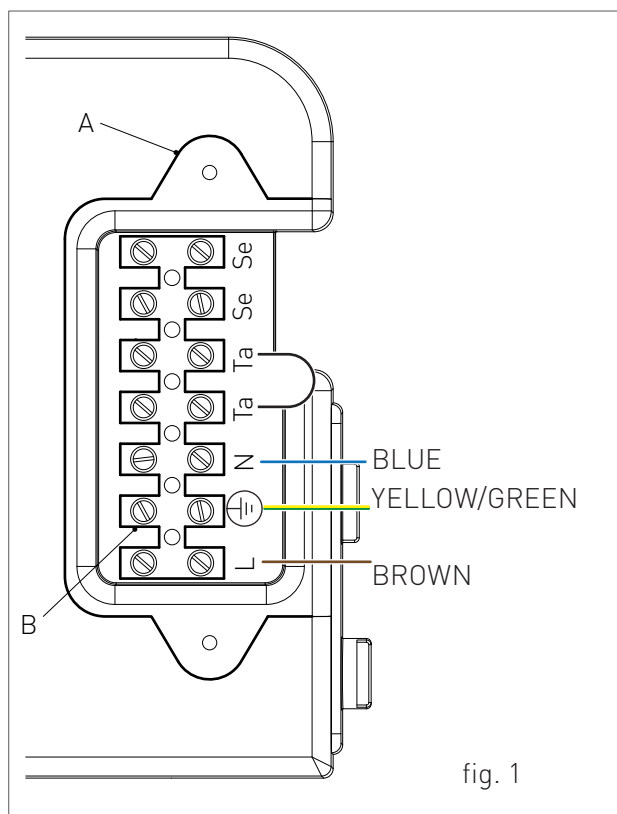


fig. 1

## 1.1.20. OPTIONAL ELECTRICAL CONNECTIONS

The cables should be inserted inside the boiler using the cable glands 'P1' and 'P2' placed under the board (see fig. 1). Make a hole on the cable gland, smaller than the cable diameter, to make sure that the air cannot pass through.

To wire the optionals below:

- **(SE) EXTERNAL TEMPERATURE PROBE CODE 73518LA**
- **(TA) ENVIRONMENT THERMOSTAT**
- **(CR) REMOTE CONTROL OPEN THERM CODE 40-00017**

use the terminal placed inside the control panel as follows:

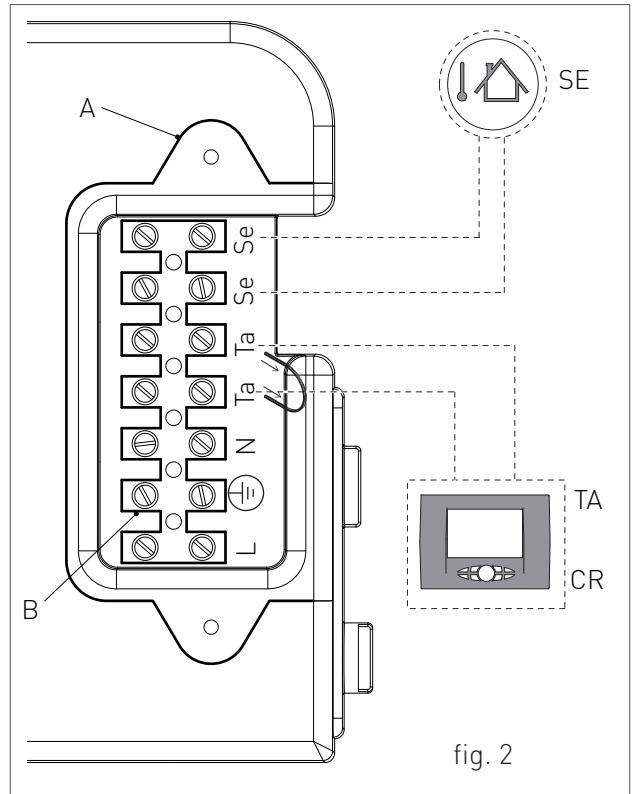
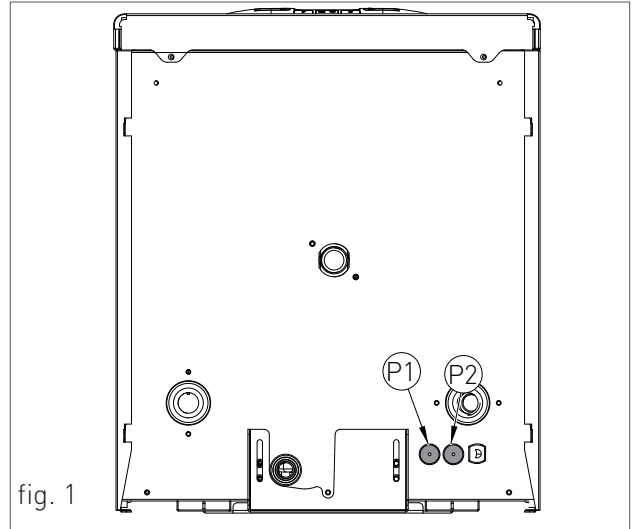



**DANGER**

Cut off the voltage from the main switch.

- › remove the front casing of the boiler (see chapter ACCESSING THE BOILER); unscrew the screws and remove plate "A" (see fig. 2).
- › After removing the plate, connect the electrical cables to terminal "B" (see fig. 2):
  - For the external temperature Probe connect the two non-polarized conductors to the Se-Se contacts.
  - For the environment Thermostat or Remote control, first remove the bridge on the Ta-Ta contacts and then connect the two non-polarized conductors to the Ta-Ta contacts.

After performing these operations, remount plate "A" and the front casing.



**NOTA BENE:** In case of simultaneous presence of external probe and remote control, the modulation board only sends the external temperature value to the remote device without using it for modulation. The communication between board and remote control takes place independently from the boiler's operating mode and after establishing the connection, the display shows the symbol .

To wire the optionals below:

• (TP) EXCLUSION OF THE D.H.W. OR HEATING CIRCUIT VIA CLEAN CONTACT (SEE EXPLANATION IN THE PARAGRAPH 'EXCLUSION VIA CONTACT (TP)')

• BUS 0-10V

• (SVZ) CONTROL BOARD FOR AREA VALVES AND AUXILIARY RELAY CONNECTED TO A REMOTE CONTROL COD. 65-00030

• (AG) AUXILIARY RELAY FOR GENERIC DEVICE. MAXIMUM CURRENT 3A WITH 250VAC (SEE RELAY MANAGEMENT AT PARAMETER P34)

use the electronic board placed inside the control panel as follows:



**DANGER**

*Cut off the voltage from the main switch.*

› remove the boiler's front casing (refer to chapter ACCESSING THE BOILER).

› remove the crankcase of the control panel (see chapter ACCESSING THE ELECTRONIC BOARD).

› after removing the crankcase, connect the items below to the electronic board (see fig. 1):

After performing these operations, remount the crankcase and the front casing.

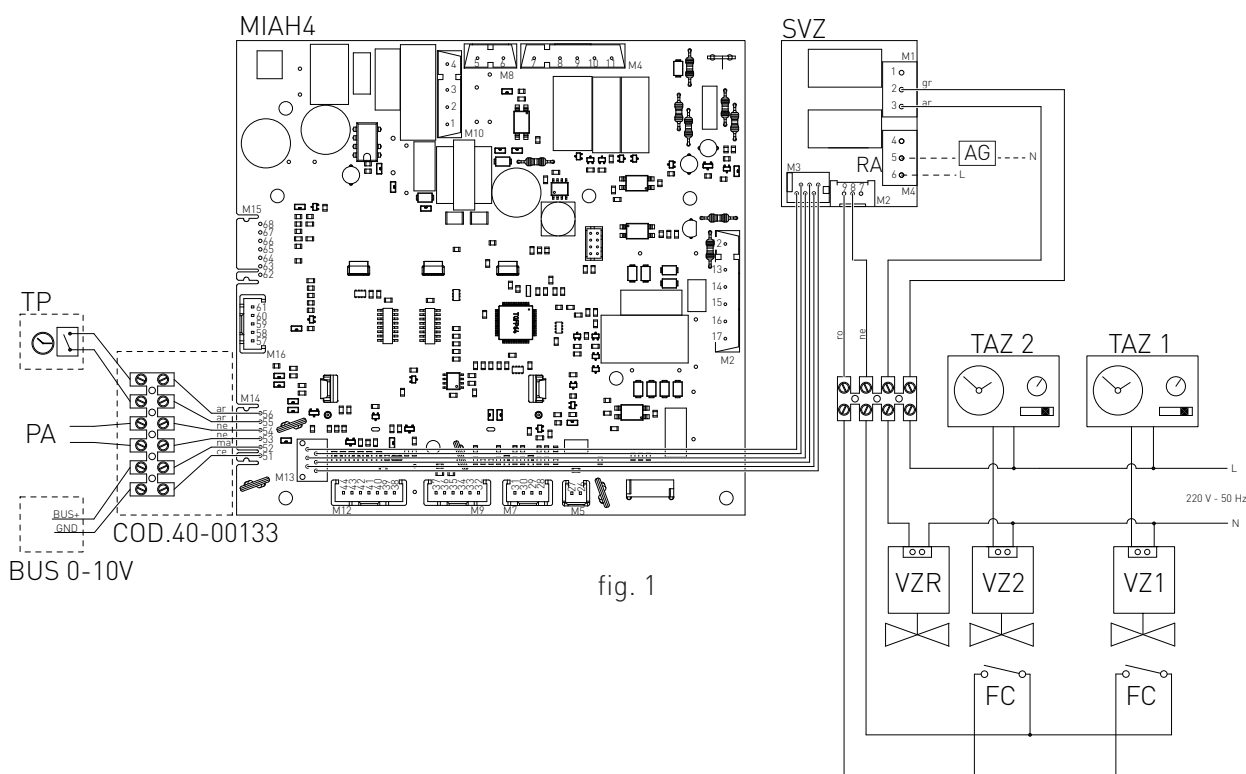


fig. 1

- RA: AUXILIARY RELAY
- TAZ1: ENVIRONMENT THERMOSTAT AREA 1
- TAZ 2: ENVIRONMENT THERMOSTAT AREA 2
- VZ1: AREA 1 VALVE
- VZ2: AREA 2 VALVE
- VZR: REMOTE CONTROLLED AREA VALVE
- PA: AIR PRESSURE SWITCH

- FC: AREA VALVES LIMIT SWITCH
- GR: GREY
- AR: ORANGE
- NE: BLACK
- MA: BROWN
- CE: LIGHT BLUE
- RO: RED



### EXCLUSION VIA CONTACT (TP)

In case there is a tank clock or a temperature thermostat connected on contacts n.55-56 of the M14 terminal board on the P.C.B., when the contact (TP) is closed, one of the following functions or requests can be excluded:

**FAST H2O FUNCTION** – if parameter P01 value is set to '0' or '1' (see chapter 'DIGITECH CS PARAMETERS TABLE') and FAST H2O function is active, the function is deactivated when closing the contact.

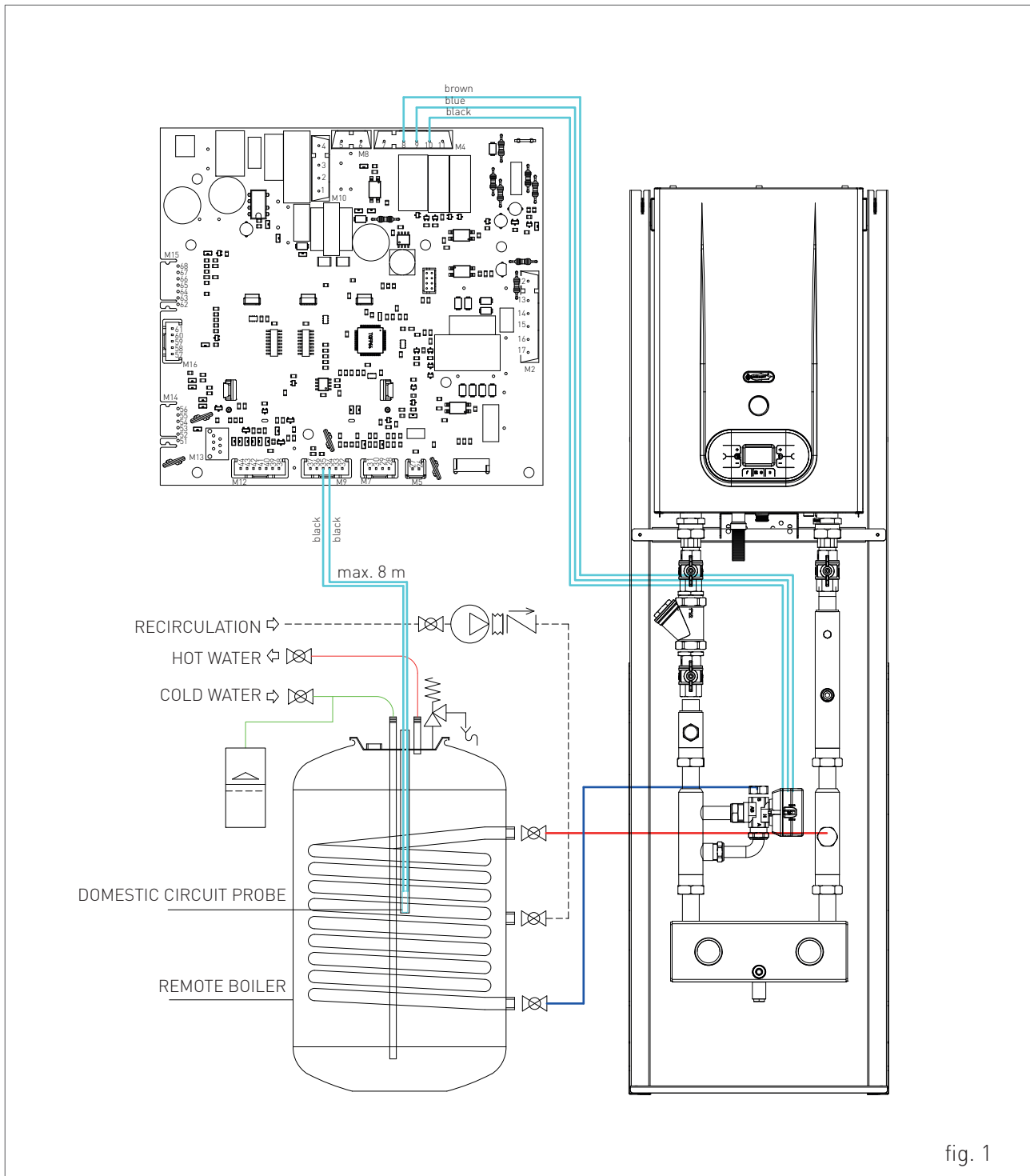
**D.H.W. REQUEST** – if parameter P01 value is set to '0' or '1' and parameter P17 value is set to '1' (see chapter 'DIGITECH CS PARAMETERS TABLE'), the burner ignition request in D.H.W. mode is disabled, when closing the contact. If FAST H2O function is active, the function is deactivated when closing the contact.

**TANK RESTORATION** – if parameter P01 value is set to '2' or '3' (see chapter 'DIGITECH CS PARAMETERS TABLE'), the tank restoration function is deactivated, when closing the contact. Upon D.H.W. request through flow-switch, the boiler activates in instantaneous mode.

**HEATING REQUEST** – if parameter P01 value is set to '5' (see chapter 'DIGITECH CS PARAMETERS TABLE'), the burner ignition request in heating mode is disabled, when closing the contact (even if the request comes from a connected room thermostat or remote control).

### REMOTE BOILER SYSTEM - BOILER PROBE AND DIVERTER VALVE CONNECTION

- clamp M9 - boiler probe: insert the boiler probe cable inside the panel inserting the terminals 35 and 34. It is not necessary to follow an order of wires.
- clamp M4 - diverter valve: connect the motor cable of the diverter valve by means of the molex clamp. Insert the cable inside the tool panel and connect the terminals of the cable to the clamp M4 paying attention to the combinations: blue – clamp no. 9; brown – clamp no. 8; black – clamp no. 10.





## 1. INSTALLATION

### 1.1.21. FUME EXHAUST FITTINGS



#### WARNING

*In order to ensure proper operation and efficiency of the device you have to connect the boiler fume exhaust fitting to the fume exhaust duct using appropriate polypropylene flue fittings for condensing boilers. It is recommended to install discharge systems approved by Radiant.*



#### WARNING

*You cannot use traditional flue fittings for the discharge ducts of the condensing boilers, nor vice versa.*

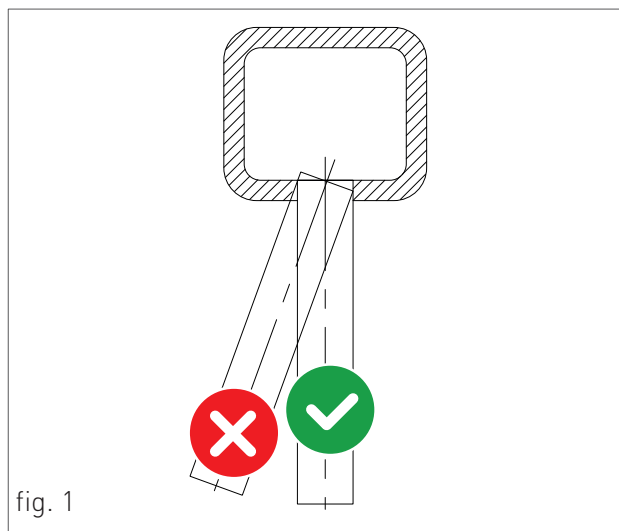


#### WARNING

*For fumes exhaust and condensate collection, please follow the technical standards in force.*

- › For all discharge ducts, with regard to the fumes path, you should provide an uphill slope (outwards) so as to favour the reflux of the condensate towards the combustion chamber, suitably realized to collect and drain acid condensate.
- › For all air suction ducts, with regard to the air path, you should provide an uphill slope (towards the boiler) so as to avoid the protrusion inside the duct of rain water, dust or foreign objects.
- › In case of horizontal co-axial system installation, correctly place the horizontal co-axial terminal suitably realized to respect the slopes inside the fumes duct and to protect the air suction duct from adverse weather conditions.
- › In order to discharge the fumes through a fumes exhaust duct carefully follow the technical standards in force.
- › Make sure that the discharge tube does not protrude inside the fumes exhaust duct, stop before it reaches the inner surface of the latter.

- › The discharge duct must be perpendicular with the opposite internal wall of the chimney or of the fumes exhaust duct (fig. 1).





## 1.1.22. TYPES OF FUME EXHAUST SYSTEMS

### KIT EK 50 - SPLIT SYSTEM Ø80 MADE OF POLYPROPYLENE

The two tubes system allows fumes discharge through the fumes exhaust duct and air intake from the environment.

Suitable only for condensing boilers.

It allows discharging fuel gas and air suctioning for combustion through two separated ducts.

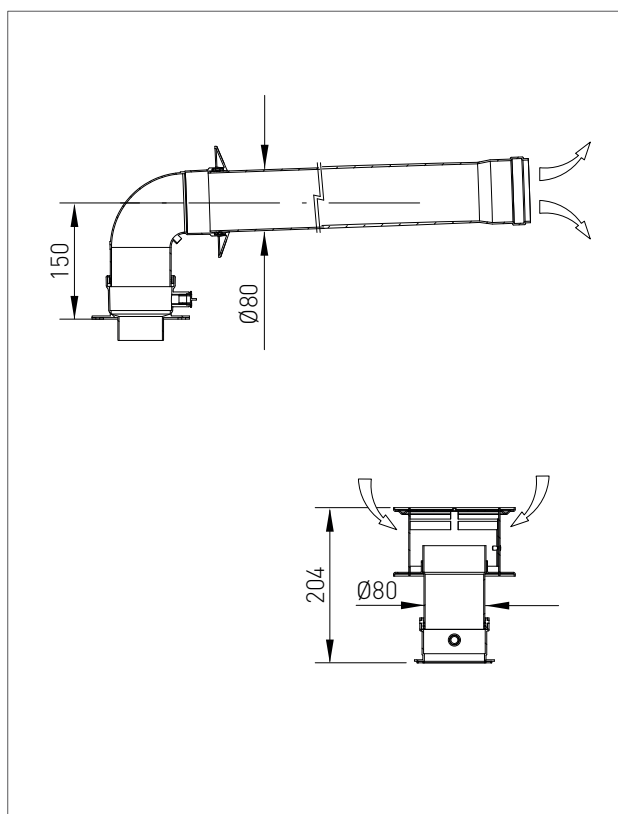
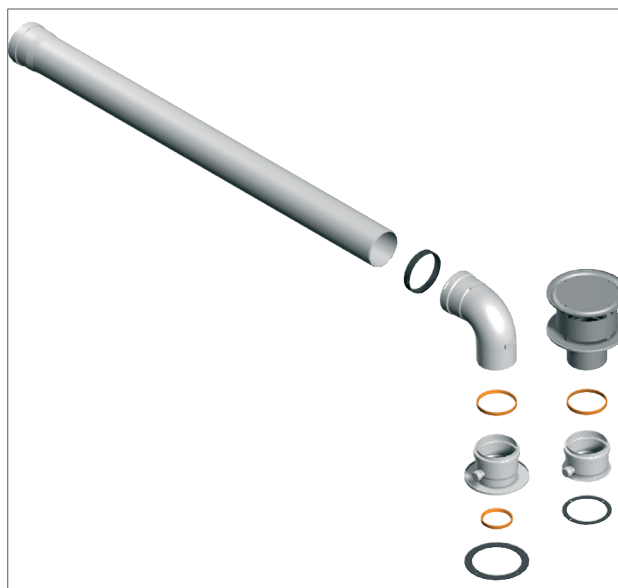
PLEASE SEE THE MAXIMUM DISCHARGE AND INTAKE LENGTH IN THE TABLE IN CHAPTER "TECHNICAL DATA".

The maximum discharge and intake length (or linear reference length) can be calculated summing the length of the linear tube and that equivalent to each additional curve with respect to the first.

Subsequent addition of a curve is similar to adding a linear length of tube according to the indications below:

curve Ø80 at 90°= 1.5 m

curve Ø80 at 45°= 0.8 m





## 1. INSTALLATION

### KIT FK 50 - SPLIT SYSTEM Ø80 MADE OF POLYPROPYLENE

The two tubes system allows fumes discharge through the roof and air intake from the environment.

Suitable only for condensing boilers.

It allows discharging fuel gas and air suctioning for combustion through two separated ducts.

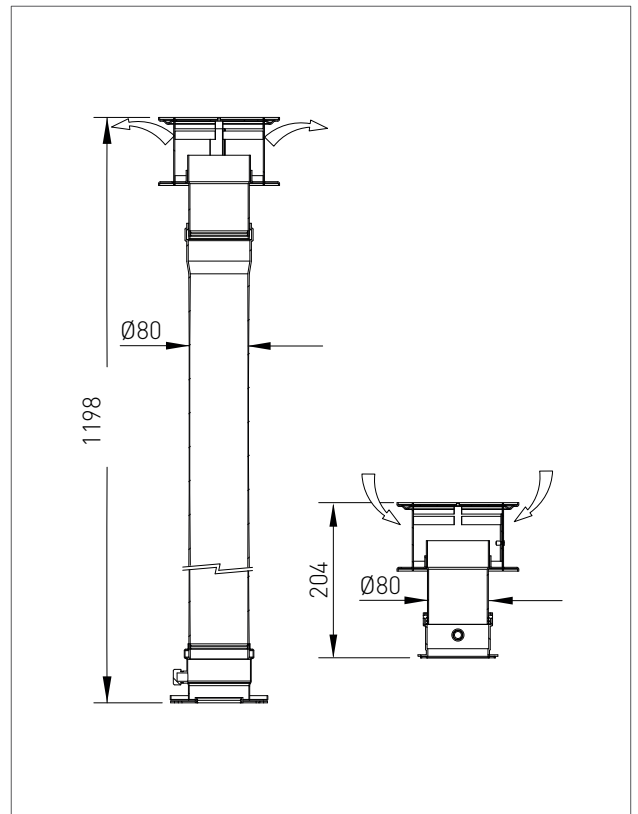
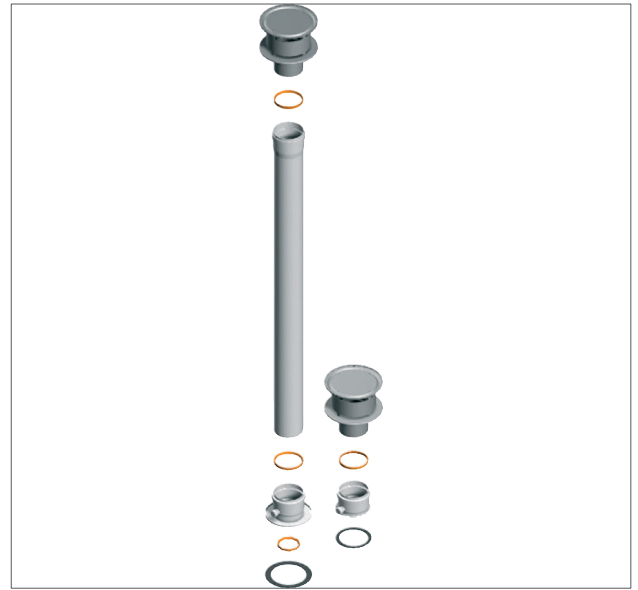
PLEASE SEE THE MAXIMUM DISCHARGE AND INTAKE LENGTH IN THE TABLE IN CHAPTER "TECHNICAL DATA".

The maximum discharge and intake length (or linear reference length) can be calculated summing the length of the linear tube and that equivalent to each additional curve with respect to the first.

Subsequent addition of a curve is similar to adding a linear length of tube according to the indications below:

curve Ø80 at 90°= 1.5 m

curve Ø80 at 45°= 0.8 m



### KIT H - HORIZONTAL TWIN PIPE FLUE KIT Ø80/80, IN POLYPROPYLENE, ADJUSTABLE AT 360°.

The twin pipe allows flue discharge through the flue exhaust duct and air intake from outside.

Suitable only for condensing boilers.

It allows discharging fuel gas and air suctioning for combustion through two separated ducts.

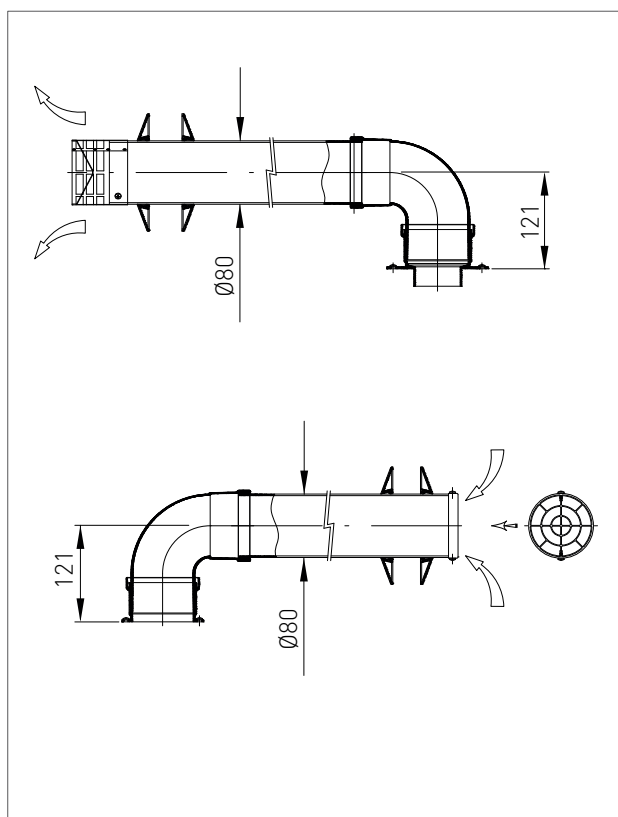
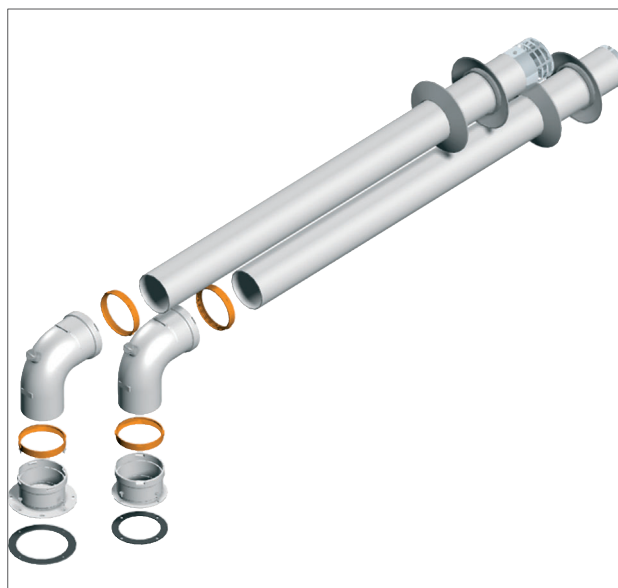
PLEASE SEE THE MAXIMUM DISCHARGE AND INTAKE LENGTH IN THE TABLE IN CHAPTER "TECHNICAL DATA".

The maximum discharge and intake length (or linear reference length) can be calculated summing the length of the linear tube and that equivalent to each additional curve with respect to the first.

Subsequent addition of a curve is similar to adding a linear length of tube according to the indications below:

curve Ø80 at 90°= 1.5 m

curve Ø80 at 45°= 0.8 m







## 2. SUPPORT CENTER SECTION

All operations described below relative to first start-up, maintenance and replacement should be performed only by qualified personnel and authorized by RADIANT BRUCIATORI S.p.A.



### 2.1. FIRST START-UP

#### 2.1.1. PRELIMINARY OPERATIONS FOR FIRST START-UP

The first start-up operations consist in checking the correct installation, adjustment and operation of the device. Proceed as follows:

- › check the inner system sealing in accordance with the indications provided by standard and regulations in forced;
  - › check if the gas used is suitable for the boiler;
  - › check if the gas capacity and relative pressures comply with those on the plate;
  - › check the intervention of the safety device in case of lack of gas;
  - › make sure that the device supply voltage corresponds with that on the plate (230 V – 50 Hz) and that the wiring is correct;
  - › make sure that the grounding system works properly;
  - › make sure that the combustion air adduction and fumes and condensate discharge take place properly in compliance with the Local and National Laws and Standards in force;
  - › make sure that the fumes discharge tube and its connection to the fume exhaust duct comply with the requirements of the Local and National Laws and Standards;
  - › make sure that the heating system gate valves are open;
  - › make sure that there is no intake of gaseous products within the system;
- › make sure that there are no flammable liquids or materials near the device;
  - › open the boiler gas tap and make sure that there are no gas leaks upstream from the device (the burner gas connection must be checked while the machine is running);
  - › in case of new installation of the gas supply network, the air inside the tubes may block the device at its first start-up. You might have to repeat the start-up procedure to purge all the air inside the tube.



## 2.1.2. BOILER COMMISSIONING



### WARNING


*Make sure that the system is correctly filled.*


Proceed with boiler commissioning as follows:

Make sure the gas feed valve is switched off

- › Power the boiler.

THE START-UP SYSTEM WILL AUTOMATICALLY ACTIVATE THE SYSTEM AIR RELIEF CYCLE FUNCTION DISPLAYED ON SCREEN WITH CODE "F33" (ONLY AT FIRST START-UP WILL LAST FOR 5 MINUTES\*). When function "F33" is active, the pump is enabled and the burner start-up request is disabled. The boiler can work normally only after completing the operation.

- › Make sure the circulating pump is unblocked.
- › If it should be blocked, wait for the circulating pump to activate the automatic reset (lasting 3 min.)
- › If the circulating pump should be still blocked, activate the circulating pump automatic reset again (further 3 minutes), and switch off the power supply and switch it on again.
- › Open the gas tap.
- › Use the button  to select the desired operation mode. If the symbol is displayed fixed, it means that the function has been activated.
- › The burner will start as soon as the thermostat contact is closed ;
- › If the flame is missing, the board will repeat the start-up operations after post-ventilation (20 seconds).
- › You might have to repeat the start-up operation several times to release all the air inside the gas

tube. Before repeating the operation, wait at least 5 seconds from the last start-up attempt and unlock the boiler from "E01" error code by pressing the Reset  key.

(\* ) The boiler performs the system venting cycle function (5 minutes) only during the first starting. After every water pressure reset the boiler will automatically perform a reduced system venting cycle (2 minutes). During this function the display shows F33 code. The correct boiler operation will be allowed only after this operation has been completed.

### 2.1.3. CO<sub>2</sub> VALUE CHECK AND CALIBRATION



#### WARNING


The CO<sub>2</sub> value should be checked with the casing assembled, while the gas valve should be adjusted with the casing open.

To check and calibrate the CO<sub>2</sub> value to minimum and maximum heating power proceed as follows for every single unit:

#### FOR MINIMUM HEATING POWER

- › Activate the chimney sweep function (F07) by holding for 7 seconds the key 'R' (the maximum time of the function is 15 minutes).
- › Insert the fumes analyser probe in the suitable 'PF' fumes inlet (fig. 1), then make sure that the CO<sub>2</sub> value complies with the indications in "Technical data", otherwise unscrew the protection screw 'A' (fig. 2) and adjust using a 4 Allen wrench the screw '2' (fig. 2) of the Off-Set adjuster. To increase the CO<sub>2</sub> value, turn the screw clockwise and vice-versa if you want to decrease it. Once completed the adjustment, tighten the protection screw 'A' (fig. 2) on the Off-Set adjuster.

#### FOR MAXIMUM HEATING POWER

- › Press the key '+' of the heating  in order to calibrate the maximum heating power.
- › Make sure that the CO<sub>2</sub> value complies with the requirements indicated in chapter "Technical data", otherwise adjust using screw '1' (fig. 2) of the gas flow adjuster. To increase the CO<sub>2</sub> value, turn the screw anti-clockwise and vice-versa if you want to decrease it.
- › After each adjustment variation on screw '1' (fig. 2) of the gas flow adjuster you have to wait for the boiler to stabilize itself to the set value (about 30 seconds).



- › Then press the key '-' of the heating  and make sure that the CO<sub>2</sub> value did not change to minimum, if changed repeat the calibration described in the previous paragraph.
- › Deactivate the chimney sweep function by switching the boiler to the 'OFF' operating mode using the button  or by pressing the key 'R'.

fig. 1

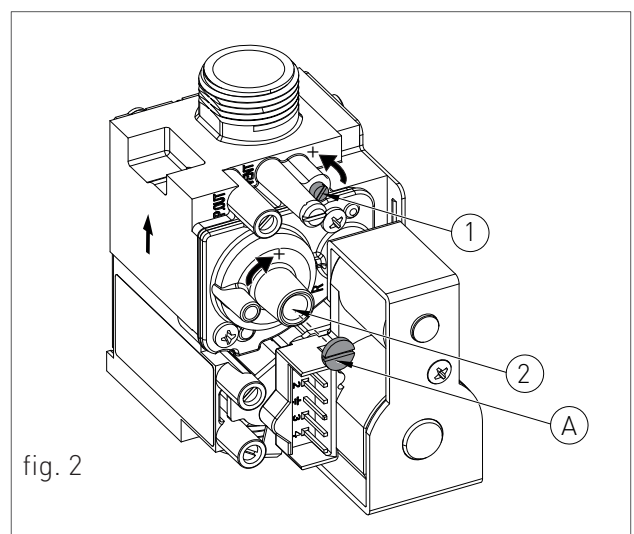
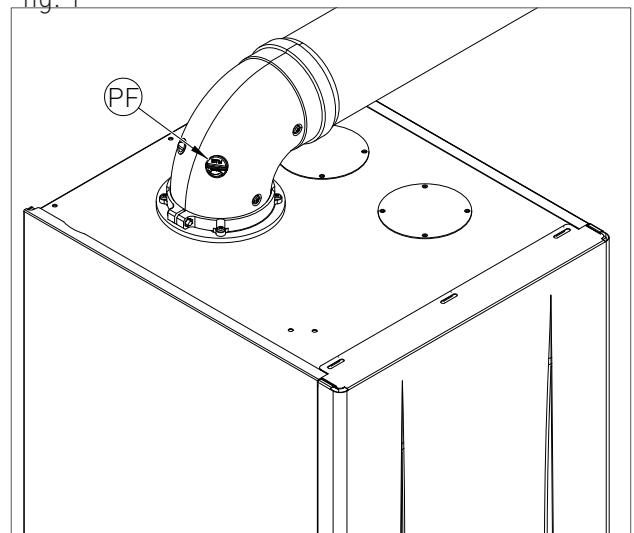


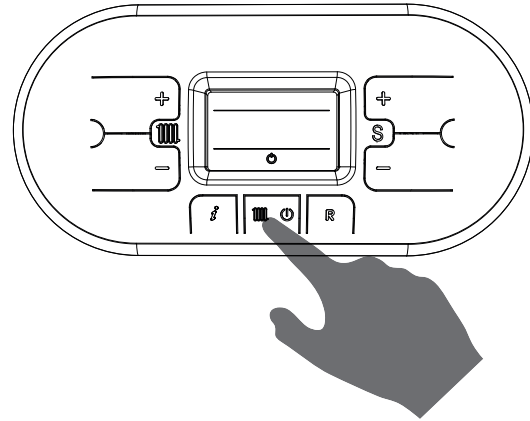
fig. 2








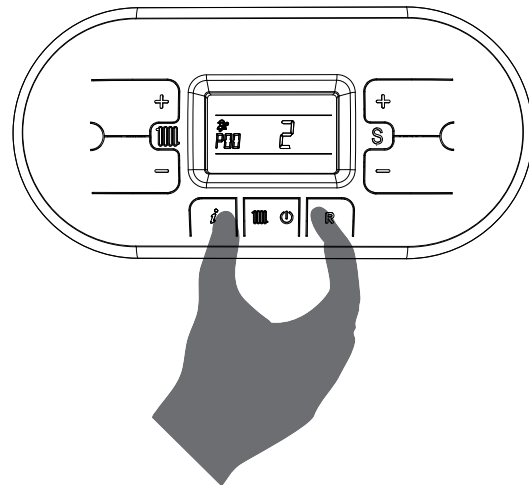
### 2.1.4. ACCESSING AND PROGRAMMING THE PARAMETERS

To access the parameters menu and adjust their values, follow the procedure below:

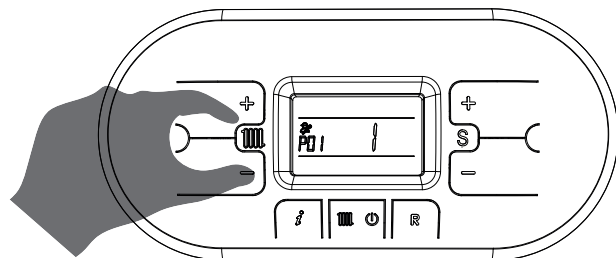
1. Press the button  to select the OFF mode displayed using the symbol .



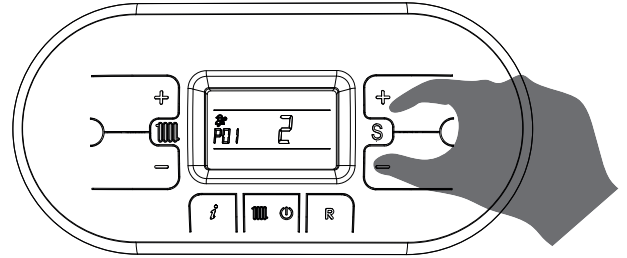
2. Hold at the same time the keys  and  until on the display appears the symbol  with the message 'P00', and release the keys  and .



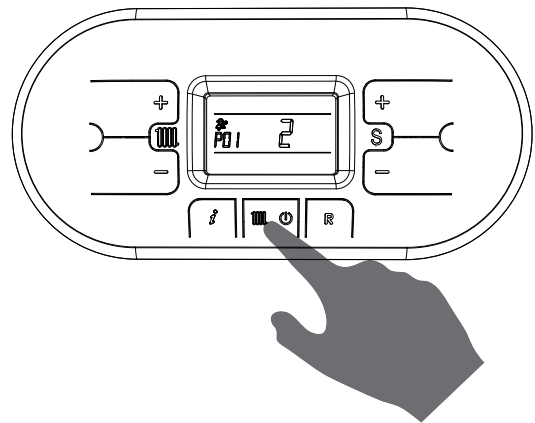
3. Use the keys  and  of the heating circuit  to select the parameter to be edited.



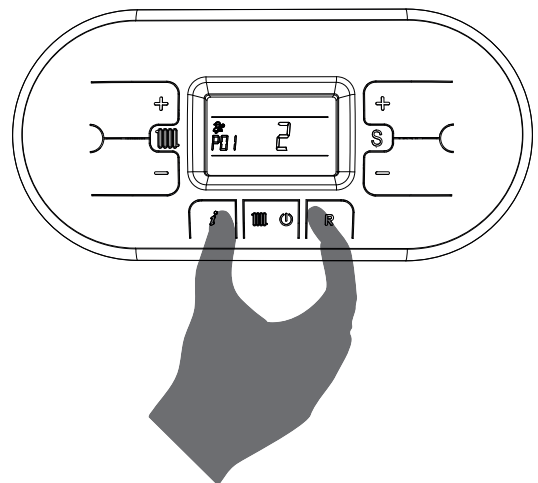
4. Use the keys '+' and '-' of the symbol 'S' to change the value of the parameter.



5. Press the key 'M' to confirm the action and wait for the display to stop blinking, indication of the fact that the adjustment was implemented.



6. To exit the parameters menu, hold at the same time the keys 'i' and 'R' and wait for the symbol 'P' to appear on the display.





## 2.1.5. DIGITECH CS PARAMETERS TABLE

PARAMETER	DESCRIPTION	RANGE	FUNCTION
<b>P00</b>	<b>BOILER MODEL SELECTION</b>	0 - 11	0 = 13 KW
			1 = 18 KW (HEAT.) / 24 KW (DOMESTIC)
			2 = 25 KW
			3 = 28 KW
			4 = 34 KW
			5 = 55 KW
			6 = 100 KW
			7 = R1K 18_24-R2K 24-R2KA 24 (IN ALL VERSIONS)
			8 = R1K 25_28-R2K 28-R2KA 28 (IN ALL VERSIONS)
			9 = R1K 34-R2K 34-R2KA 34 (IN ALL VERSIONS)
			10 = R1K 50
11 = R1K 57 / R1K 60			
<b>P01</b>	<b>BOILER TYPE SELECTION</b>	0 - 5	0 = INSTANTANEOUS R2K
			1 = INSTANTANEOUS RKR
			2 = ACCUMULATION IN THE BOILER
			3 = ACCUMULATION IN THE REMOTE STORAGE TANK
			4 = INSTANTANEOUS COMFORT - FAST H2O
			5 = HEATING ONLY



## 2. FIRST START-UP

PARAMETER	DESCRIPTION	RANGE	FUNCTION
<b>P02</b>	<p><b>GAS TYPE SELECTION</b></p> <p><b>ATTENTION:</b> READ THE INSTRUCTION IN CHAPTER 'GAS TRANSFORMATION' BEFORE CHANGING THIS PARAMETER.</p>	0 - 1	<p>0 = METHANE</p> <hr/> <p>1 = LPG</p>
<b>P03</b>	<p><b>SETTING THE HEATING TEMPERATURE</b></p> <p>IN CASE THE BOILER IS INSTALLED AS PART OF A LOW TEMPERATURE CIRCUIT, PLEASE INSTALL A SAFETY THERMOSTAT ON THE HEATING FLOW, WHICH CAN STOP THE BOILER ACTIVITY IN CASE OF HIGH HEATING FLOW TEMPERATURE. THE COMPANY ASSUMES NO LIABILITY FOR DAMAGE CAUSED TO PERSONS OR FOR FAILURE TO COMPLY WITH THESE INSTRUCTIONS.</p>	0 - 1	<p>0 = STANDARD (30-80 °C) (SET BY DEFAULT)</p> <hr/> <p>1 = REDUCED (25-45 °C) FOR FLOOR SYSTEMS</p>
<b>P04</b>	<p><b>HEATING RUN-UP</b></p> <p>THROUGH THIS PARAMETER YOU CAN SET THE TIME, DURING START-UP PHASE, NECESSARY FOR THE BOILER TO REACH THE MAXIMUM SET POWER (ON THE HEATING SIDE).</p>	0 - 4	<p>0 = (DISABLED)</p> <hr/> <p>1 = 50 SECONDS</p> <hr/> <p>2 = 100 SECONDS</p> <hr/> <p>3 = 200 SECONDS (SET BY DEFAULT)</p> <hr/> <p>4 = 400 SECONDS</p>
<b>P05</b>	<p><b>ANTI-WATER HAMMER SELECTION</b></p> <p>ONCE THIS FUNCTION IS ENABLED, THE DHW CONTACT WILL BE DELAYED FOR A TIME EQUAL TO THE SET VALUE.</p>	0 - 20	<p>0 = DISABLED</p> <hr/> <p>1 - 20 = THE VALUE IS EXPRESSED IN SECONDS</p>
<b>P06</b>	<p><b>DOMESTIC CIRCUIT PRESERVATION FUNCTION (ONLY FOR INSTANTANEOUS BOILERS)</b></p> <p>THROUGH THIS PARAMETER YOU CAN PRESERVE THE CIRCULATOR THE DIVERTER VALVE IN DOMESTIC POSITION FOR A PERIOD OF TIME EQUAL TO THE POST-CIRCULATION (SEE PARAMETER P09), SO AS TO MAINTAIN THE SECONDARY EXCHANGER HOT.</p>	0 - 1	<p>0 = DISABLED (SET BY DEFAULT)</p> <hr/> <p>1 = ENABLED</p>
<b>P07</b>	<p><b>HEATING TIMING</b></p> <p>THROUGH THIS PARAMETER YOU CAN SET THE MINIMUM TIME FOR WHICH THE BURNER WILL BE TURNED OFF ONCE THE HEATING TEMPERATURE REACHED THE USER SET TEMPERATURE.</p>	0 - 90	<p>VALUE EXPRESSED IN MULTIPLES OF 5 SECONDS (PRE-SET AT 36 X 5 = 180 SECONDS)</p>



PARAMETER	DESCRIPTION	RANGE	FUNCTION
<b>P08</b>	<b>POST-CIRCULATION HEATING TIMING</b> THROUGH THIS PARAMETER, IT IS POSSIBLE TO SET THE OPERATION TIME OF THE PUMP AFTER THE MAIN BURNER TURNS OFF DUE TO THE ENVIRONMENT THERMOSTAT.	0 - 90	VALUE EXPRESSED IN MULTIPLES OF 5 SECONDS (PRE-SET AT 36 X 5 = 180 SECONDS)
<b>P09</b>	<b>POST-CIRCULATION DOMESTIC / STORAGE TIMING</b> THROUGH THIS PARAMETER, IT IS POSSIBLE TO SET THE OPERATION TIME OF THE PUMP AFTER CLOSING THE TAP OR REACHING THE TEMPERATURE SET IN THE BOILER.	0 - 90	VALUE EXPRESSED IN MULTIPLES OF 5 SECONDS (PRE-SET AT 24 X 5 = 120 SECONDS)
<b>P10</b>	<b>DOMESTIC FAN MINIMUM SPEED ADJUSTMENT</b> THROUGH THIS PARAMETER YOU CAN SET THE FAN MINIMUM SPEED IN DOMESTIC PHASE, THAT CORRESPONDS TO THE MINIMUM BURNER POWER DURING A REQUEST TO OPERATE IN DOMESTIC MODE. THE VALUE IS PRE-SET BASED ON THE SET POWER (SEE PARAMETER P00) AND ON THE GAS TYPE (SEE PARAMETER P02)	SEE CHAPTER ' H E A T C A P A C I T Y D I A G R A M (KW) - ELECTRIC FAN FREQUENCY (HZ)'	THE VALUE IS EXPRESSED IN HERTZ (1HZ = 30 RPM)
<b>P11</b>	<b>DOMESTIC FAN MAXIMUM SPEED ADJUSTMENT</b> THROUGH THIS PARAMETER YOU CAN SET THE FAN MAXIMUM SPEED IN DOMESTIC PHASE, THAT CORRESPONDS TO THE MAXIMUM BURNER POWER DURING A REQUEST TO OPERATE IN DOMESTIC MODE. THE VALUE IS PRE-SET BASED ON THE SET POWER (SEE PARAMETER P00) AND ON THE GAS TYPE (SEE PARAMETER P02)	SEE CHAPTER ' H E A T C A P A C I T Y D I A G R A M (KW) - ELECTRIC FAN FREQUENCY (HZ)'	THE VALUE IS EXPRESSED IN HERTZ (1HZ = 30 RPM)
<b>P12</b>	<b>HEATING FAN MINIMUM SPEED ADJUSTMENT</b> THROUGH THIS PARAMETER YOU CAN SET THE FAN MINIMUM SPEED IN HEATING PHASE, THAT CORRESPONDS TO THE MINIMUM BURNER POWER DURING A REQUEST TO OPERATE IN HEATING MODE. THE VALUE IS PRE-SET BASED ON THE SET POWER (SEE PARAMETER P00) AND ON THE GAS TYPE (SEE PARAMETER P02)	SEE CHAPTER ' H E A T C A P A C I T Y D I A G R A M (KW) - ELECTRIC FAN FREQUENCY (HZ)'	THE VALUE IS EXPRESSED IN HERTZ (1HZ = 30 RPM)

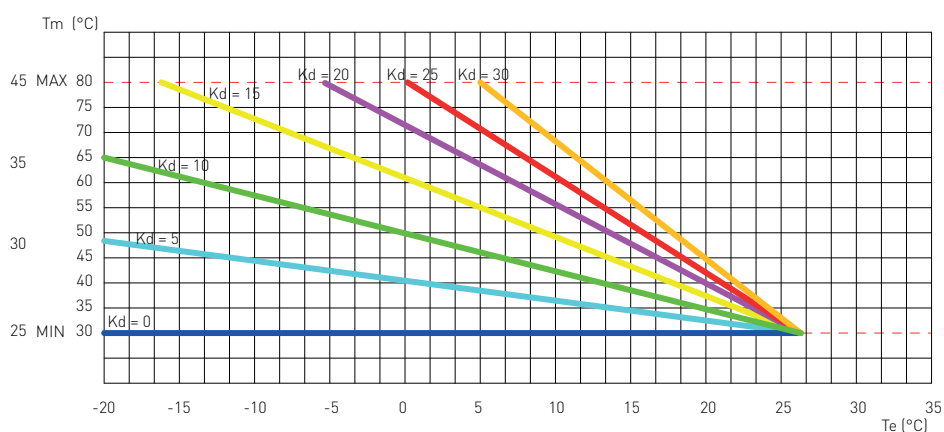


## 2. FIRST START-UP

PARAMETER	DESCRIPTION	RANGE	FUNCTION
<b>P13</b>	<p><b>HEATING FAN MAXIMUM SPEED ADJUSTMENT</b></p> <p>THROUGH THIS PARAMETER YOU CAN SET THE FAN MAXIMUM SPEED IN HEATING PHASE, THAT CORRESPONDS TO THE MAXIMUM BURNER POWER DURING A REQUEST TO OPERATE IN HEATING MODE.</p> <p>THE VALUE IS PRE-SET BASED ON THE SET POWER (SEE PARAMETER P00) AND ON THE GAS TYPE (SEE PARAMETER P02)</p>	SEE CHAPTER ' H E A T C A P A C I T Y D I A G R A M (KW) - ELECTRIC FAN FREQUENCY (HZ)'	THE VALUE IS EXPRESSED IN HERTZ (1HZ = 30 RPM)
<b>P14</b>	<p><b>STARTING STEP ADJUSTMENT</b></p> <p>THROUGH THIS PARAMETER YOU CAN SET THE FAN SPEED DURING START-UP</p> <p>THE VALUE IS PRE-SET BASED ON THE SET POWER (SEE PARAMETER P00) AND ON THE GAS TYPE (SEE PARAMETER P02)</p>	SEE CHAPTER ' H E A T C A P A C I T Y D I A G R A M (KW) - ELECTRIC FAN FREQUENCY (HZ)'	THE VALUE IS EXPRESSED IN HERTZ (1HZ = 30 RPM)
<b>P15</b>	<p><b>ANTI-LEGIONELLA FUNCTION (FOR STORAGE BOILERS ONLY)</b></p> <p>THROUGH THIS PARAMETER YOU CAN ACTIVATE/DEACTIVATE THE "ANTILEGIONELLA" HEAT TREATMENT OF THE STORAGE TANK. EVERY 7 DAYS THE WATER TEMPERATURE INSIDE THE STORAGE IS HEATED BEYOND 60 °C THUS GENERATING A BURNING HAZARD. KEEP UNDER CONTROL SUCH DOMESTIC HOT WATER TREATMENT (AND INFORM THE USERS) TO AVOID UNFORSEEABLE DAMAGES TO PERSONS, ANIMALS AND PROPERTY. A THERMOSTATIC VALVE SHOULD BE INSTALLED AT THE DOMESTIC HOT WATER OUTLET TO AVOID ANY BURNS.</p>	0 - 1	<p>0 = DISABLED</p> <hr/> <p>1 = ENABLED (PRE-SET BY DEFAULT ON STORAGE BOILERS ONLY)</p>



PARAMETER	DESCRIPTION	RANGE	FUNCTION
P16	<p><b>CLIMATE COMPENSATION CURVE</b> <b>(ONLY WITH EXTERNAL PROBE CONNECTED)</b></p> <p>YOU CAN CONNECT AN EXTERNAL TEMPERATURE PROBE (SEE CHAPTER 'ELECTRICAL CONNECTIONS') THAT AUTOMATICALLY CHANGES THE DELIVERY TEMPERATURE BASED ON THE EXTERNAL MEASURED TEMPERATURE. THE NATURE OF THE CORRECTION DEPENDS ON THE THERMO-ADJUSTMENT VALUE KD SET (SEE CHART).</p> <p>THE SELECTION OF THE CURVE IS DETERMINED BY THE MAXIMUM DELIVERY TEMPERATURE <math>T_m</math> AND THE MINIMUM EXTERNAL TEMPERATURE <math>T_e</math> TAKING INTO ACCOUNT THE HOUSE INSULATION DEGREE.</p> <p>THE VALUES OF THE DELIVERY TEMPERATURES <math>T_m</math>, REFER TO STANDARD SYSTEMS 30-80 °C OR FLOOR SYSTEMS 25-45 °C.</p> <p>THE SYSTEM TYPE CAN BE SET FROM PARAMETER P03.</p>	0 - 30	(SET BY DEFAULT AT 25) THE NUMBERING OF THE VALUE CORRESPONDS TO 'KD' CURVES ON THE CHART (SEE CHART BELOW).





## 2. FIRST START-UP

PARAMETER	DESCRIPTION	RANGE	FUNCTION
P17	<p><b>DISABLEMENT OF DOMESTIC HOT WATER LINE BY MEANS OF SWITCH (ONLY FOR FAST BOILERS)</b></p> <p><i>(SEE EXCLUSION VIA CONTACT (TP) IN THE CHAPTER "OPTIONAL ELECTRICAL CONNECTIONS")</i></p> <p>BY ENABLING THIS PARAMETER IN THE PRESENCE OF A CONNECTION (FOR EXAMPLE A BOILER CLOCK OR A TEMPERATURE THERMOSTAT) ON BOILER CLOCK SWITCH ON THE BOARD, THE REQUEST FOR BURNER IGNITION ON THE DOMESTIC HOT WATER LINE WILL BE DISABLED UPON BOILER CLOCK SWITCH CLOSURE.</p> <p><b>EXAMPLE 1:</b> WITH THE BOILER CLOCK SWITCH OPEN, UPON THE REQUEST FOR DOMESTIC HOT WATER, THE FLOW SWITCH AND THE BOILER WILL TURN ON.</p> <p><b>EXAMPLE 2:</b> WITH THE BOILER CLOCK SWITCH CLOSE, UPON THE REQUEST FOR DOMESTIC HOT WATER, THE FLOW SWITCH AND THE BOILER WILL NOT TURN ON.</p>	0 - 1	<p>0 = DISABLED (SET BY DEFAULT)</p> <hr/> <p>1 = ENABLED</p>
P18	<p><b>ENABLING BUS INDUSTRIAL PILOTING 0 -10V</b></p> <p>THROUGH THIS PARAMETER YOU CAN ENABLE OR DISABLE THE BUS INDUSTRIAL INPUT 0-10 V TO SET THROUGH EXTERNAL BUS THE BURNER POWER OR THE DELIVERY TEMPERATURE.</p>	0 - 2	<p>0 = DISABLED (SET BY DEFAULT)</p> <hr/> <p>1 = TEMPERATURE CONTROL MODE</p> <hr/> <p>2 = POWER CONTROL MODE</p>
P19	<p><b>MINIMUM HEATING SETPOINT</b></p> <p>THROUGH THIS PARAMETER YOU CAN SET THE USER-ADJUSTABLE MINIMUM HEATING TEMPERATURE.</p>	20 - 40	THE VALUE IS EXPRESSED IN °C
P20	<p><b>MAXIMUM HEATING SETPOINT</b></p> <p>THROUGH THIS PARAMETER YOU CAN SET THE USER-ADJUSTABLE MAXIMUM HEATING TEMPERATURE.</p>	40 - 90	THE VALUE IS EXPRESSED IN °C
P21	<p><b>MAXIMUM DOMESTIC SETPOINT</b></p> <p>THROUGH THIS PARAMETER YOU CAN SET THE USER-ADJUSTABLE MAXIMUM DOMESTIC TEMPERATURE.</p>	45 - 75	THE VALUE IS EXPRESSED IN °C
P22	<p><b>SET POINT <math>\Delta</math>T DELIVERY-RETURN</b></p> <p><i>(ONLY WITH MODULATING PUMP AND RETURN PROBE CONNECTED)</i></p> <p>THROUGH THIS PARAMETER YOU CAN SET THE TEMPERATURE DIFFERENCE BETWEEN DELIVERY AND RETURN.</p>	<p>0</p> <hr/> <p>10 - 40</p>	<p>0 = DISABLED</p> <hr/> <p>THE VALUE IS EXPRESSED IN °C</p>





PARAMETER	DESCRIPTION	RANGE	FUNCTION
P23	<p><b>MODULATING PUMP MINIMUM SPEED</b>  <b>(ONLY WITH MODULATING PUMP AND RETURN PROBE CONNECTED)</b></p> <p>THROUGH THIS PARAMETER YOU CAN SET THE MINIMUM SPEED VALUE OF THE MODULATING PUMP DURING A REQUEST TO OPERATE IN HEATING MODE.</p>	50 - 70	THE VALUE IS EXPRESSED IN PERCENTAGE
P24	<p><b>MODULATING PUMP MAXIMUM SPEED</b>  <b>(ONLY WITH MODULATING PUMP AND RETURN PROBE CONNECTED)</b></p> <p>THROUGH THIS PARAMETER YOU CAN SET THE MAXIMUM SPEED VALUE OF THE MODULATING PUMP DURING A REQUEST TO OPERATE IN HEATING MODE.</p>	70 - 100	THE VALUE IS EXPRESSED IN PERCENTAGE
P25	<p><b>D.H.W STORAGE TANK TEMPERATURE SETPOINT</b>  <b>(FOR STORAGE BOILERS ONLY)</b></p> <p>THROUGH THIS PARAMETER YOU CAN SET THE PRIORITY STARTING VALUE OF THE STORAGE TANK, COMPARED TO THE USER ADJUSTABLE D.H.W SETPOINT.</p>	3 - 9	THE VALUE IS EXPRESSED IN °C (PRE-SET AT 9°C)
P26	<p><b>MODBUS ADDRESS</b></p> <p>BY MEANS OF THIS PARAMETER, IT IS POSSIBLE TO SET THE ADDRESS OF THE BOARD ON MODBUS IN ORDER TO PERFORM A CASCADE SYSTEM.</p>	1 - 16	BOILER NUMBERING FOR MODBUS
P27	<p><b>MODBUS COMMUNICATION BAUD RATE</b></p> <p>BY MEANS OF THIS PARAMETER, IT IS POSSIBLE TO SELECT THE MODBUS COMMUNICATION BAUD RATE SUPPORTED BY THE SAME INTERFACE.</p>	0 - 5	0 = 9600 1 = 1200 2 = 2400 3 = 4800 4 = 9600 5 = 19200
P28	<p><b>MODBUS MODE</b></p>	0 - 2	0 = ENABLED 1 = ENABLED WITH LOCAL SETTINGS 2 = DISABLED (SET BY DEFAULT)



## 2. FIRST START-UP

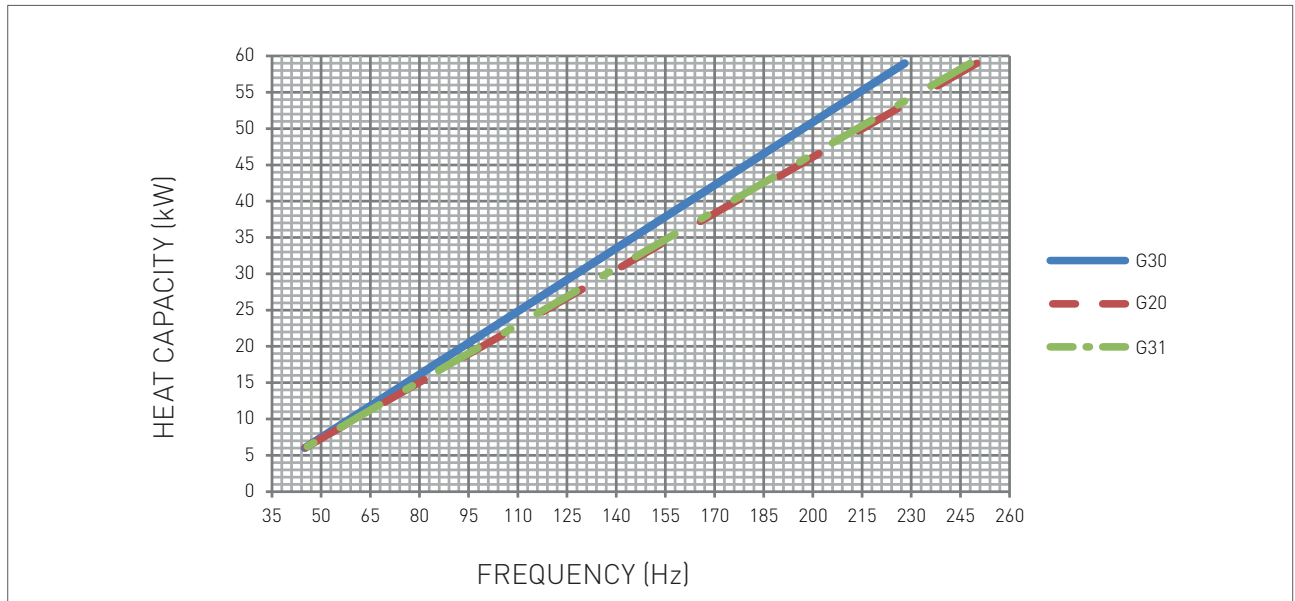
PARAMETER	DESCRIPTION	RANGE	FUNCTION
<b>P29</b>	<b><i>ΔT HEATING POSTCIRCULATION</i></b> THROUGH THIS PARAMETER, IT IS POSSIBLE TO SET THE TEMPERATURE DIFFERENCE FROM THE MAIN BURNER SHUTOFF, FOR THE INTERVENTION OF THE ROOM THERMOSTAT, TO THE DISABLING OF THE PUMP IN HEATING MODE.	0 - 25	THE VALUE IS EXPRESSED IN °C (SET BY DEFAULT AT 10 °C)
<b>P30</b>	<b><i>ΔT D.H.W./TANK POSTCIRCULATION</i></b> THROUGH THIS PARAMETER, IT IS POSSIBLE TO SET THE TEMPERATURE DIFFERENCE FROM THE CLOSING OF THE TAP OR THE REACHING OF THE TEMPERATURE SET IN THE BOILER TO THE DISABLING OF THE PUMP IN HEATING MODE.	0 - 25	THE VALUE IS EXPRESSED IN °C (SET BY DEFAULT AT 10 °C)
<b>P31</b>	<b><i>HEATING MODE ANTI-FREEZE TEMPERATURE SETTING</i></b> THROUGH THIS PARAMETER, IT IS POSSIBLE TO SET THE HEATING WATER TEMPERATURE AT WHICH THE ANTI-FREEZE PROTECTION DEVICE STARTS WORKING.	5 - 12	THE VALUE IS EXPRESSED IN °C (SET BY DEFAULT AT 8 °C)
<b>P32</b>	<b><i>ENABLING FLOWMETER</i></b> <b><i>(ONLY WITH FLOWMETER KIT CODE 65-00712 CONNECTED)</i></b> THROUGH THIS PARAMETER IT IS POSSIBLE TO ENABLE THE FLOWMETER FOR MEASURING THE HEATING FLOW RATE AND MANAGE ACTIVATION OF THE BOILER BY THE FLOW RATE ITSELF.	0 - 2	0 = DISABLED (SET BY DEFAULT)  1 = ENABLED  2 = FLOW-SWITCH ENABLING FOR GAS HEAT PUMP (HYBRID BOILER)
<b>P33</b>	<b><i>MINIMUM THRESHOLD TO ACTIVATE THE BOILER THROUGH THE FLOWMETER</i></b> <b><i>(ONLY IF PARAMETER P32 IS SET ON THE VALUE '1' OR '2')</i></b> THROUGH THIS PARAMETER IT IS POSSIBLE TO SET THE MINIMUM WATER FLOW RATE REQUIRED TO ACTIVATE THE BOILER.	20 - 68	VALUE EXPRESSED IN HERTZ 20 Hz = 3.5 l/min 23 Hz = 4 l/min 28 Hz = 5 l/min 34 Hz = 6 l/min 39 Hz = 7 l/min 44 Hz = 8 l/min 50 Hz = 9 l/min 55 Hz = 10 l/min 61 Hz = 11 l/min 66 Hz = 12 l/min



PARAMETER	DESCRIPTION	RANGE	FUNCTION
P34	<p><b>ACTIVATION OF THE AUXILIARY RELAY ON THE "SVZ" P.C.B. (SEE CHAPTER: OPTIONAL ELECTRICAL CONNECTIONS)</b></p> <p>THROUGH THIS PARAMETER IT IS POSSIBLE TO MANAGE THE TYPE OF FUNCTIONING OF THE AUXILIARY RELAY ON THE "SVZ" P.C.B. (CLAMP M4, PIN 5-6).</p> <p>WHEN THE VALUE OF THE PARAMETER IS SET TO '3', THE ENABLING OR DISABLING OF THE AUXILIARY RELAY IS GIVEN BY THE "TP" CONTACT (CLAMP M14, PIN 55-56, SEE CHAPTER: OPTIONAL ELECTRICAL CONNECTIONS).</p> <p>WHEN THE "TP" CONTACT IS OPEN, THE RELAY STAYS ENERGIZED (WORKING RECIRCULATION PUMP) WHILE WHEN THE "TP" CONTACT IS CLOSED, THE RELAY IS DE-ENERGIZED (NOT WORKING RECIRCULATION PUMP).</p>	0 - 4	<p>0 = DISABLED (SET BY DEFAULT)</p> <p>1 = HEATING CIRCUIT BOOSTER PUMP</p> <p>2 = D.H.W. BOOSTER PUMP</p> <p>3 = RECIRCULATION PUMP</p> <p>4 = REMOTE LED FOR SIGNALLING BOILER BLOCK (SEE CHAPTER: OPTIONAL ELECTRICAL CONNECTIONS)</p>
P35	<p><b>SAFETY CHECK ENABLING FOR INSUFFICIENT CIRCULATION DURING IGNITION</b></p> <p>BY ACTIVATING THIS PARAMETER, THE CORRECT FUNCTIONING OF THE PUMP IS CHECKED AT EACH BURNER IGNITION. THIS CHECK ALLOWS TO PROTECT THE HEAT EXCHANGER AND OTHER PARTS FROM EXCESSIVE NON-DISSIPATED HEAT, IN CASE THE PUMP DOES NOT WORK PROPERLY.</p>	0 - 1	<p>0 = DISABLED</p> <p>1 = ENABLED (SET BY DEFAULT)</p>
P36	<p><b>ACTIVATION AND OPERATING MODE OF THE CONTACT 'CT' THROUGH ACCESSORY COD. 40-00133 (SEE CHAPTER "OPTIONAL ELECTRICAL CONNECTIONS")</b></p> <p>THIS PARAMETER IS AUTOMATICALLY SET TO THE VALUE '1' WHEN THE VALUE OF PARAMETER P00 IS SET TO '11'.</p>	0 - 2	<p>0 = DISABLED (SET BY DEFAULT)</p> <p>1 = AIR PRESSURE-SWITCH SAFETY</p> <p>2 = TELEPHONE DIALER</p>



2.1.6. ELECTRIC FAN FREQUENCY/HEAT CAPACITY DIAGRAM



SUPPORT CENTRE

GAS TYPE		MINIMUM FREQUENCY	MAXIMUM FREQUENCY	STARTING STEP ADJUSTMENT
G20	Hz	45	250	130
G30	Hz	45	228	140
G31	Hz	45	248	140



## 2.2. MAINTENANCE

### 2.2.7. GENERAL MAINTENANCE WARNINGS



#### DANGER

*Before each components cleaning or replacement operation, ALWAYS cut off the POWER, WATER and GAS supply of the boiler.*



#### WARNING

*To ensure greater life span and proper operation of the device, during the maintenance operations use only original spare parts.*



#### ATTENTION

*To ensure the efficiency and safety of the device, the maintenance operations must be realized on an annual basis. The operations described below, are essential to the validity of the standard RADIANT warranty and must be performed by professionally qualified personnel in accordance with current legislation and authorized by RADIANT.*

Please perform the following operations once a year:

- › check the primary exchanger, if necessary, clean it;
  - › check the operation of the gas light up and safety systems. If necessary, remove and clean the flame detection and light up electrodes from incrustations paying attention to respect the distances with respect to the burner;
  - › check the sealing of the gas components, and replace if necessary the gaskets;
  - › visually check the flame and the condition of the combustion chamber;
  - › if necessary make sure that the combustion is suitably adjusted and if required proceed as indicated in section "CO2 VALUE CHECK AND CALIBRATION";
  - › periodically check the integrity of the fume exhaustion system for safety and proper operation;
  - › make sure that the permanent ventilation outlets are present, correctly sized and functioning, based on the installed devices. Respect the requirements provided by Local and National legislation;
  - › check the heating circuit safety systems: limit temperature safety thermostat; limit pressure safety;
  - › check the proper operation of the condensate draining system, including the devices outside the boiler such as condensate collection devices installed along the path of the fume exhaust duct or neutralization devices for acid condensate. Check that the liquid flow is not obstructed and that there are no combustion gas refluxes inside the internal system.
- › Check that the system's water PH is between 6.5 and 8.5;
  - › check the pre-load pressure of the expansion vessel;
  - › check the sealing of the water components, and replace if necessary the gaskets;
  - › check that the wiring is performed in compliance with the requirements in the boiler instruction manual;
  - › check the wiring inside the control panel;
  - › remove and clean the burner from oxidation;
  - › check the integrity and the position of the sealed chamber sealing gasket;



2.2.8. TECHNICAL DATA

Model	R1K 60	
CE certification	no.	0476CQ0134
Gas category		(IT) II2H3B/P
Flue system type	type	B23-B23p-B33-B53-C13-C33-C43-C53-C63-C73-C83-C93
Energy efficiency 92/42 CEE	no. stars	4
Heat Input max (C.H.)	kW	59
Heat Input min (C.H.)	kW	6
Heat Input min LPG	kW	6
Heat Output max. - 60/80°C	kW	57,32
Heat Output min. - 60/80°C	kW	5,75
Heat Output max. - 30/50°C	kW	62,84
Heat Output min. - 30/50°C	kW	6,44
Heat Output max at 30% Heat Input average - return 30°C	kW	10,51
Efficiency at 100% Heat Input - 60/80°C	%	97,15
Efficiency at 30% Heat Input - return 30°C	%	108,3
Heat Input average efficiency - 60/80°C	%	97
Heat Output max at 30% Heat Input average - return 47°C	%	102,7
Efficiency at 30% Heat Input average - return 30°C	%	107,8
Efficiency Heat Output min. - 60/80°C	%	95,8
Efficiency at 100% Heat Input - 30/50°C	%	106,5
Efficiency Heat Output min - 30/50°C	%	107,3
Maximum combustion efficiency	%	97,2
Minimum combustion efficiency	%	98,2
Flue efficiency losses with burner on (Heat Input max.)	%	2,8
Flue efficiency losses with burner on (Heat Input min.)	%	1,8
Fumes temperature - Heat Input max.	°C	81,2
Fumes temperature - Heat Input min.	°C	58,7
CO2 - Heat Input max. - G20	%	9,4 - 9,2
CO2 - Heat Input min. - G20	%	9,1 - 8,9
CO2 - Heat Input max. - G30	%	11,4 - 11,2
CO2 - Heat Input min. - G30	%	10,8 - 10,6
CO2 - Heat Input max. - G31	%	10,3 - 10,1
CO2 - Heat Input min. - G31	%	9,8 - 9,6
CO - Heat Input max.	ppm	91
CO - Heat Input min.	ppm	1
Weighted CO (0% O2)	ppm	12
Casing efficiency losses (Heat Input max.)	%	0,05
Casing efficiency losses (Heat Input min.)	%	2,4
Fumes mass - Heat Input max.	g/s	26,1
Fumes mass - Heat Input min.	g/s	2,70
NOx class	class	6
Weighted NOx (0% O2) mg/kWh	mg/kWh	35



### Central heating circuit

Temperature setting - Central heating	°C	30-80 / 25-45
Max. operating temperature - Central heating	°C	80
Max. operating pressure - Central heating	bar	3
Min. operating pressure - Central heating	bar	0,3

### Dimensions

Width	mm	410
Depth	mm	485
Height	mm	642
Gross weight	Kg	41

### Hydraulic Connections

C.H. Flow	Ø	1 1/4"
Gas	Ø	3/4"
C.H. Return	Ø	1 1/4"

### Flue systems

Fan - Max. available pressure	Pa	100
Fan - Min. available pressure	Pa	21,5
Max Flue length Ø80/80 - Horiz. Twin	m	22
Max. Flue length Ø80 - Horiz. Pipe	m	17
Flue bend 45° MF Ø80 - Pressure loss	m	1
Flue bend 90° MF Ø80 - Pressure loss	m	3
Flue extension MF Ø80 L=1000 - Pressure loss	m	1
T-connection MF Ø80 - Pressure loss	m	3,5
Max. Flue length Ø100 - Horiz. Pipe	m	30
Max. Flue length Ø80/80 - Vert. Twin	m	22
Max. Flue length Ø80 - Vert. Pipe	m	17
Max. Flue length Ø100/100	m	40
Flue adapter Ø100/80 MF - Pressure loss	m	1
Flue extension MF Ø100 L=1000 - Pressure loss	m	1
T-connection MF Ø100 - Pressure loss	m	3,5
Max. Flue length Ø100 - Vert. Pipe	m	30
Flue bend 45° MF Ø100 - Pressure loss	m	1
Flue bend 90° MF Ø100 - Pressure loss	m	1,5

### Electrical specifications

Voltage-frequency	V/Hz	220-230/50
Electric power with boiler OFF	W	3.5
Max Power consumption	W	108
Max Power consumption - boiler pump (100%)	W	55
Protection rating	IP	X5D

### Gas supply

Supply pressure - G20	mbar	20
Supply pressure min. - G20	mbar	15
Supply pressure max. - G20	mbar	25
Fan speed Max. HEATING output - G20	Hz	250
Fan speed Min. HEATING output - G20	Hz	45
Gas consumption - G20	m3/h	6,24
Supply pressure - G30	mbar	30



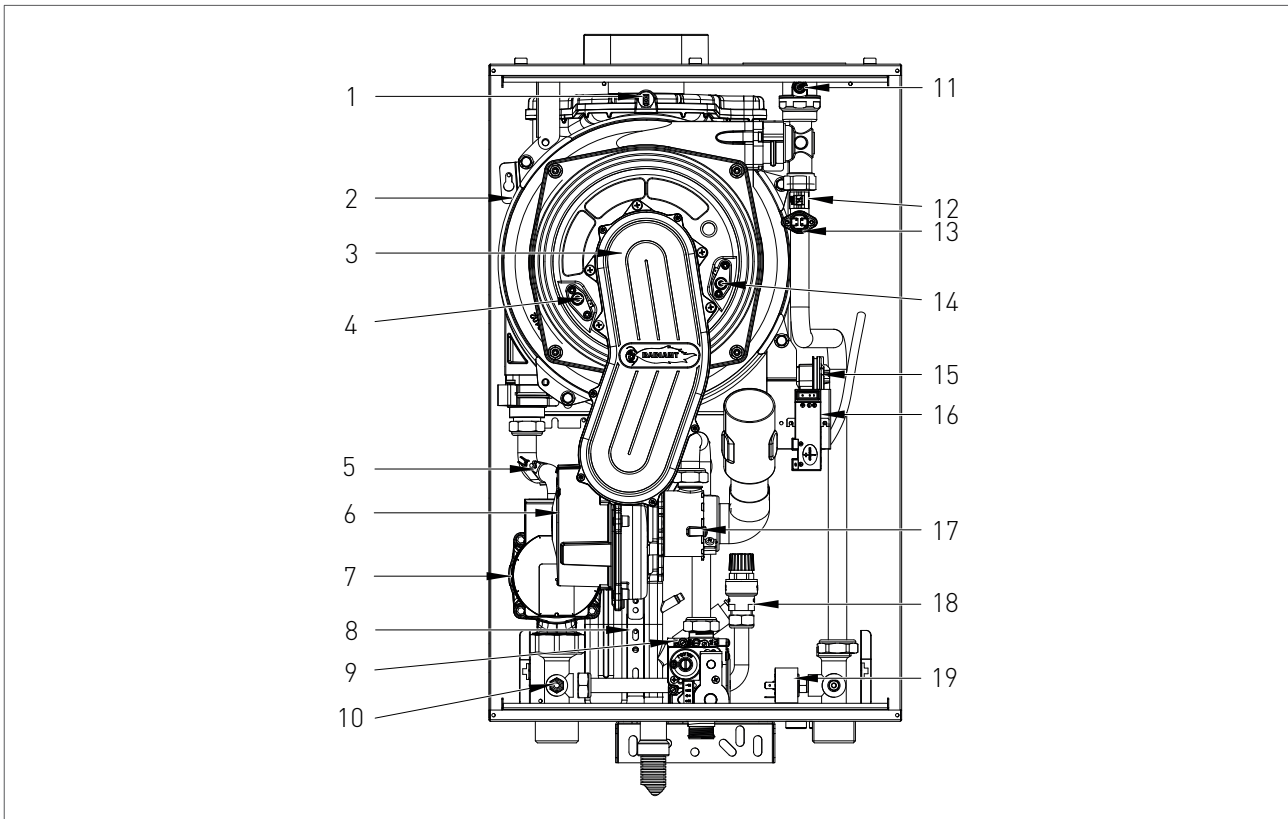
## 2. MAINTENANCE

---

Supply pressure min. - G30	mbar	25
Supply pressure max. - G30	mbar	35
Fan speed Max. HEATING output - G30	Hz	228
Fan speed Min. HEATING output - G30	Hz	45
Gas consumption - G30	kg/h	4,65
Supply pressure - G31	mbar	37
Supply pressure min. - G31	mbar	25
Supply pressure max. - G31	mbar	45
Fan speed Max. HEATING output - G31	Hz	248
Fan speed Min. HEATING output - G31	Hz	45
Gas consumption - G31	kg/h	4,58

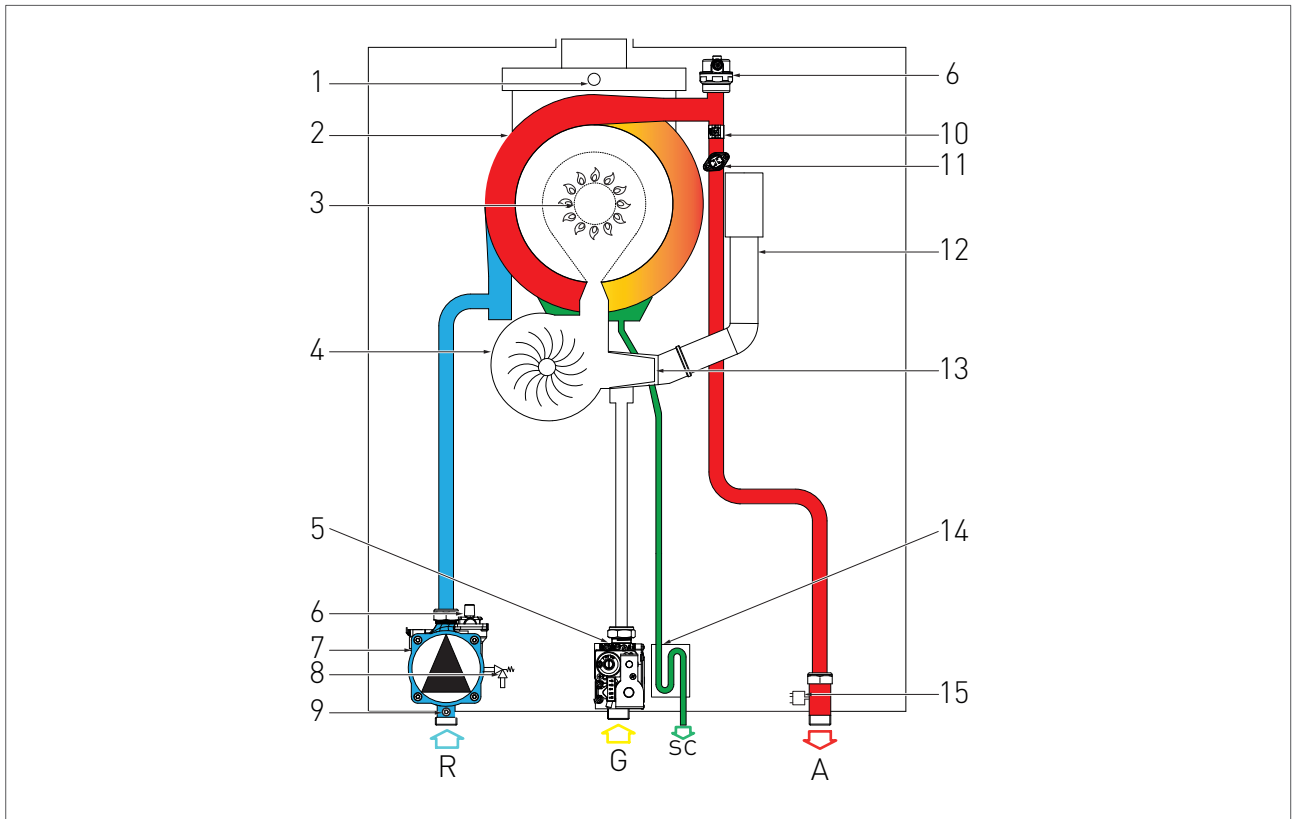


## 2.2.9. TECHNICAL ASSEMBLY

**KEY**

1. FUMES SAFETY THERMOFUSE
2. HEAT EXCHANGER
3. BURNER UNIT
4. DETECTION ELECTRODE
5. RETURN SENSOR
6. ELECTRIC FAN
7. CIRCULATOR
8. CONDENSATE COLLECTION SIPHON
9. GAS VALVE
10. SYSTEM DRAINING TAP
11. AUTOMATIC AIR RELIEF VALVE
12. HEATING PROBE
13. SAFETY THERMOSTAT
14. LIGHT UP ELECTRODE
15. AIR PRESSURE SWITCH
16. START-UP TRANSFORMER
17. PROPORTIONAL VENTURI
18. SAFETY VALVE 3 bar
19. WATER PRESSURE SWITCH

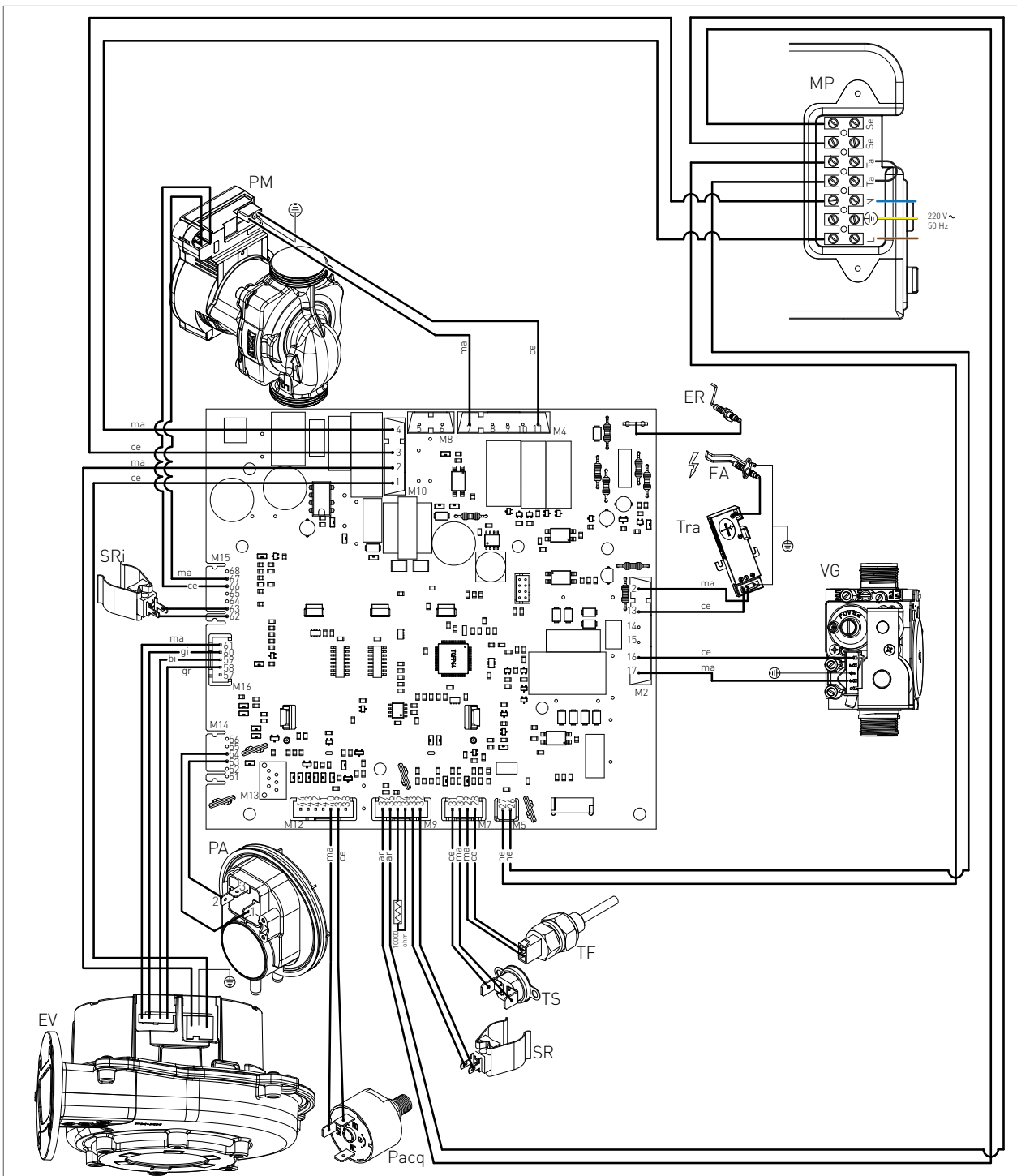
2.2.8. HYDRAULIC BOARD



**KEY**

- R. HEATING RETURN
- G. GAS INLET
- SC. CONDENSATE DRAIN
- A. HEATING FORWARD
  
- 1. FUMES SAFETY THERMOFUSE
- 2. HEAT EXCHANGER
- 3. BURNER UNIT
- 4. ELECTRIC FAN
- 5. GAS VALVE
- 6. AIR RELIEF VALVE
- 7. CIRCULATOR
- 8. SAFETY VALVE 3 bar
- 9. SYSTEM DRAINING TAP
- 10. HEATING PROBE
- 11. SAFETY THERMOSTAT
- 12. AIR SUCTION TUBE
- 13. PROPORTIONAL VENTURI
- 14. CONDENSATE COLLECTION SIPHON
- 15. WATER PRESSURE SWITCH

2.2.9. WIRING DIAGRAM



SUPPORT CENTRE

ER: DETECTION ELECTRODE	TS: SAFETY THERMOSTAT	MP: PANEL TERMINAL	CE: BLUE
EA: START-UP ELECTRODE	PACQ: WATER PRESSURE SWITCH	SE: EXTERNAL PROBE	MA: BROWN
PM: MODULATING PUMP	TF: FUMES THERMOFUSE (102°C)	TA: ENVIRONMENT THERMOSTAT	AR: ORANGE
VG: GAS VALVE	SR: HEATING PROBE	L: LINE	GI: YELLOW
TRA: START-UP TRANSFORMER	EV: ELECTRIC FAN	N: NEUTRAL	BI: WHITE
SRI: RETURN SENSOR	PA: AIR PRESSURE SWITCH	NE: BLACK	GR: GREY

2 Schema elettrico\_R1K 60\_PM\_PA\_EN

### 2.2.13. ACCESSING THE BOILER

For the majority of the control and maintenance operations you have to remove one or more panels of the casing.

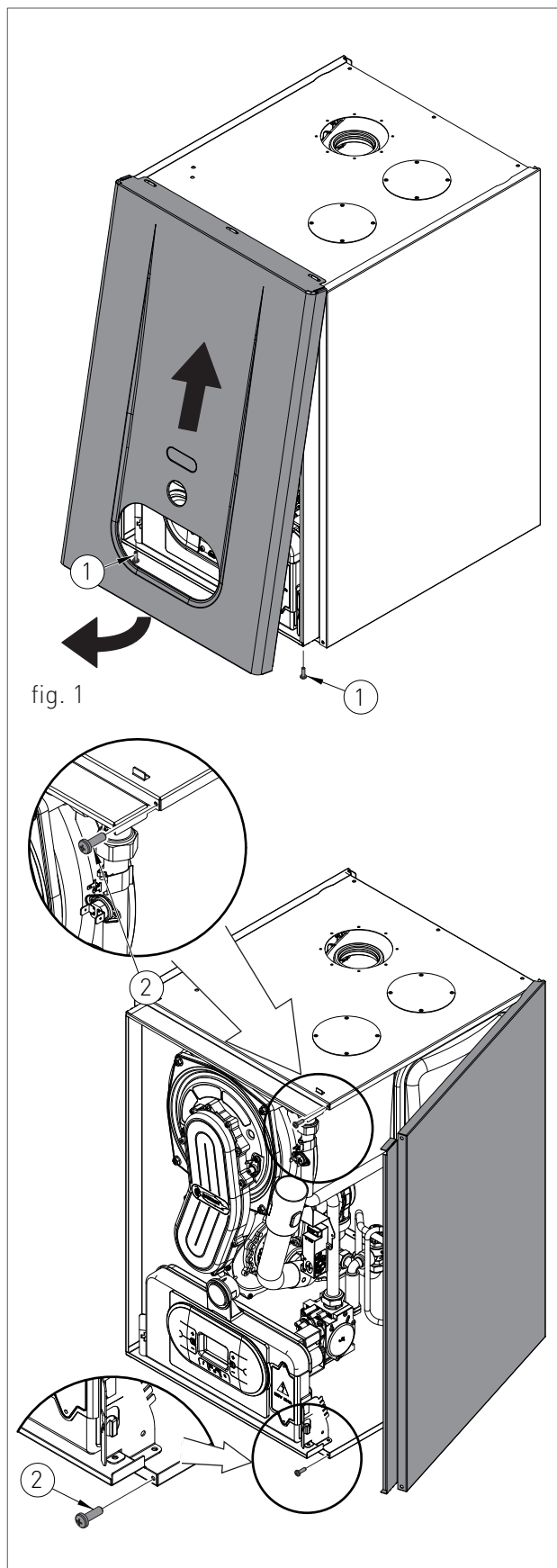
The side panels can be removed only after removing the front panel.

To intervene on the front of the boiler proceed as follows:

- > remove the fastening screws (1 - fig.1) placed on the lower edge of the front panel;
- > grab the front panel from the bottom and remove it pulling it to yourself and then upwards (see fig. 1).

To intervene on the side panels of the boiler proceed as follows:

- > remove the fastening screws (2 - fig.1) placed on the front edge of the side panel;
- > grab the bottom of the panel and remove it by moving it sideways and then pulling it upwards (see fig. 1).



## 2.2.10. ACCESSING THE ELECTRONIC BOARD

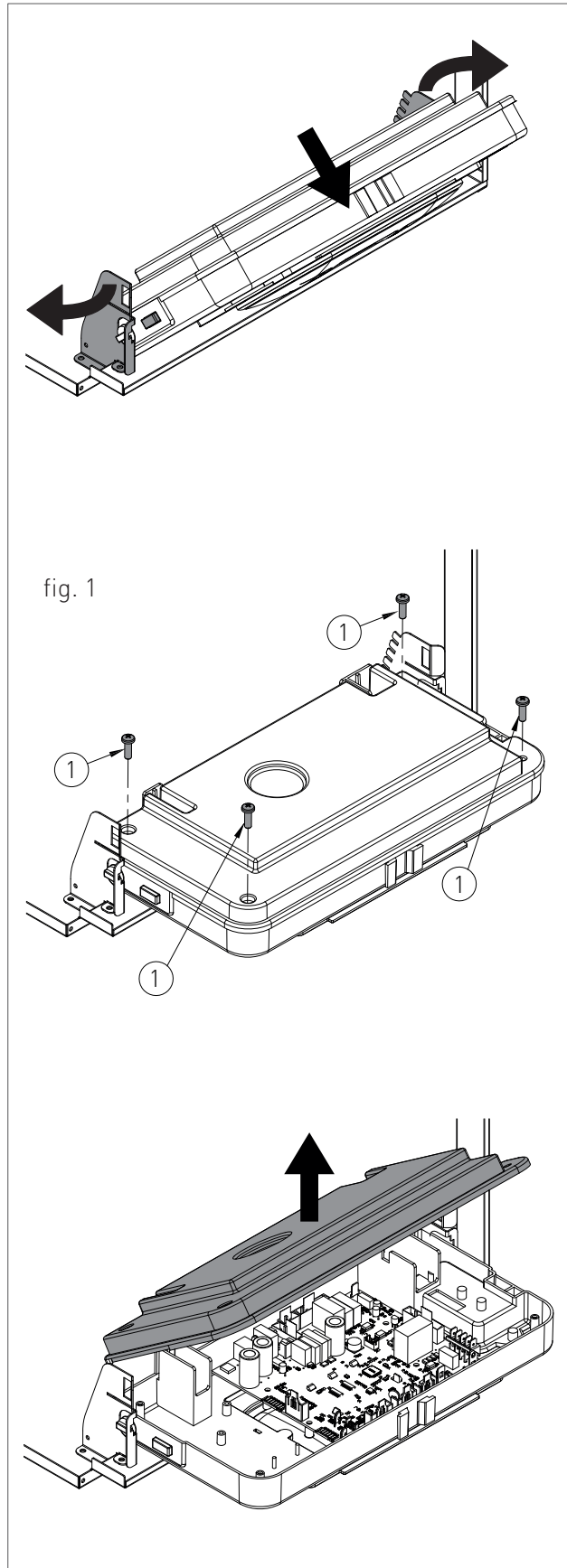
In order to intervene on the wirings of the control panel, please proceed as follows:



### DANGER

*Cut off the voltage from the main switch.*

- > Grab at the same time the support brackets of the control panel (fig. 1) loosening them and turn the panel downwards;
- > unscrew the four fastening screws 1 - fig. 1;
- > remove the crankcase pulling it upwards.

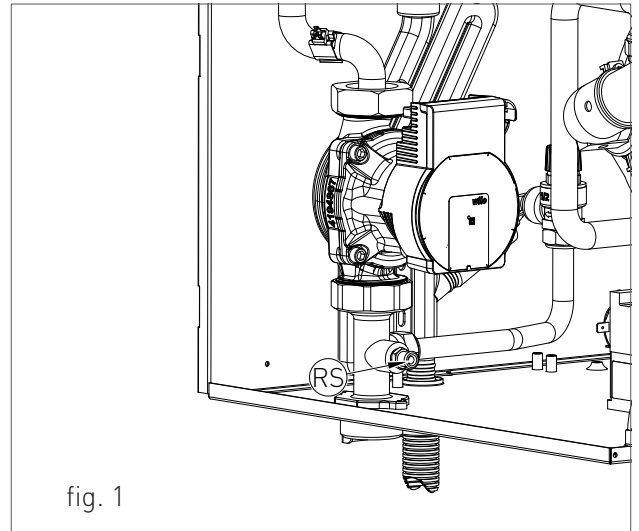


### 2.2.11. SYSTEM EMPTYING

#### HEATING SYSTEM EMPTYING








Whenever you need to empty the system, proceed as follows:


- › switch the boiler to “WINTER” mode and activate it;
- › turn off the main power supply switch;
- › wait for the boiler to cool down;
- › connect a flexible tube to the system emptying outlet and connect the other end of the tube to a suitable discharge;
- › turn the discharge tap of the system ‘RS’ (fig. 1);
- › open the relief valves of the radiators starting from the one at the top and continuing downwards;
- › after draining out all water, close the relief valves of the radiators and the emptying tap.





## 2.2.12. FAULT SIGNALLING CODES

To view the last 5 fault signalling codes chronologically, starting with the most recent one, activate the 'OFF' mode by pressing the FUNCTION  key and hold the key INFO  for 5 seconds. Use keys  and  of the heating circuit  to scroll through the list of saved faults. To reset the fault history press the RESET  key. To exit display mode press the INFO  key.

CODE	FAULT	POSSIBLE CAUSE	SOLUTION	RESET
E01	<b>FLAME BLOCK</b>	<b>NO FLAME LIGHT UP</b>		MANUAL RESET (PRESS THE RESET  KEY).
		GAS MISSING;	CHECK THE ADDUCTION NETWORK;	
		MASS OR BROKEN START-UP ELECTRODE;	REPLACE IT;	
		GAS VALVE BROKEN;	REPLACE IT;	
		SLOW LIGHT UP TOO LOW ADJUSTMENT;	ADJUST MINIMUM OR SLOW LIGHT UP;	
		VALVE INFEED PRESSURE TOO HIGH (ONLY FOR GPL BOILERS).	CHECK THE MAXIMUM ADJUSTMENT PRESSURE	
		<b>WITH FLAME LIGHT UP</b>		
		NEUTRAL AND PHASE INVERTED POWER SUPPLY;	PROPERLY CONNECT THE POWER SUPPLY;	
		DETECTION ELECTRODE BROKEN;	REPLACE IT;	
		DETECTION ELECTRODE CABLE DISCONNECTED.	CHECK THE WIRING.	
ELECTRICAL CURRENT PHASE-PHASE	IF THE TENSION MEASURES BETWEEN NEUTRAL AND GROUND IS ALMOST EQUAL TO THE ONE MEASURED BETWEEN PHASE AND GROUND, YOU HAVE TO INSTALL A PHASE-PHASE TRANSFORMER KIT (COD. 88021LA)			




## 2. MAINTENANCE

CODE	FAULT	POSSIBLE CAUSE	SOLUTION	RESET
E02	<b>SAFETY THERMOSTAT</b> <i>(95°C)</i>	THERMOSTAT CABLE DISCONNECTED;	CHECK THE WIRING;	AUTOMATIC.
		BROKEN THERMOSTAT.	REPLACE IT.	
E03	<b>FUMES SAFETY</b> <b>THERMOFUSE</b> <i>(102°C)</i>	THERMOFUSE BROKEN;	REPLACE IT;	MANUAL RESET (PRESS THE RESET Ⓡ KEY).
		THERMOFUSE CABLE DISCONNECTED.	CHECK THE WIRING.	
E04	<b>WATER MISSING IN THE SYSTEM</b>	INSUFFICIENT WATER PRESSURE INSIDE THE SYSTEM (LOWER THAN 0.3 BAR);	LOAD THE SYSTEM;	AUTOMATIC.
		WATER PRESSURE SWITCH CABLE DISCONNECTED;	CHECK THE WIRING;	
		WATER PRESSURE SWITCH BROKEN.	REPLACE IT.	
E05	<b>HEATING PROBE</b>	BROKEN OR INCORRECTLY CALIBRATED PROBE (RESISTANCE VALUE 10 KOHM AT 25 °C NTC);	REPLACE IT;	AUTOMATIC.
		DISCONNECTED OR WET PROBE CONNECTOR.	CHECK THE WIRING.	
E06	<b>DOMESTIC PROBE</b>	BROKEN OR INCORRECTLY CALIBRATED PROBE (RESISTANCE VALUE 10 KOHM AT 25 °C NTC);	REPLACE IT;	AUTOMATIC.
		DISCONNECTED OR WET PROBE CONNECTOR.	CHECK THE WIRING.	
E10	<b>LOW FLOW RATE</b>	THE FLOW RATE VALUE DETECTED BY THE FLOWMETER IS LOWER THAN THE VALUE SET AT PARAMETER P33.	INCREASE THE FLOW RATE OR LOWER THE VALUE AT PARAMETER P33.	AUTOMATIC.






CODE	FAULT	POSSIBLE CAUSE	SOLUTION	RESET
<b>E14</b>	<b>AIR PRESSURE SWITCH</b>	AIR PRESSURE SWITCH CABLE DISCONNECTED;	CHECK THE WIRING;	MANUAL RESET (PRESS THE RESET  KEY).
		DISCHARGE OR SUCTION CLOSED;	CHECK THE FUMES DISCHARGE DUCT;	
		AIR PRESSURE SWITCH DEFECTIVE.	REPLACE IT.	
<b>E15</b>	<b>RETURN PROBE</b>	BROKEN OR INCORRECTLY CALIBRATED PROBE (RESISTANCE VALUE 10 KOHM AT 25 °C NTC);	REPLACE IT;	AUTOMATIC.
		DISCONNECTED OR WET PROBE CONNECTOR.	CHECK THE WIRING.	
<b>E16</b>	<b>ELECTRIC FAN</b>	ELECTRIC FAN BOARD BROKEN;	REPLACE IT;	AUTOMATIC.
		ELECTRIC FAN BROKEN;	REPLACE IT;	
		FAULTY POWER SUPPLY CABLE.	REPLACE IT.	
<b>E18</b>	<b>INSUFFICIENT CIRCULATION</b>	EXCHANGER OBSTRUCTED;	CLEAN OR REPLACE THE EXCHANGER;	AUTOMATIC.
		CIRCULATOR BROKEN OR DIRTY IMPELLER.	CLEAN THE IMPELLER OR REPLACE THE CIRCULATOR.	
<b>E21</b>	<b>GENERAL INTERNAL BOARD ERROR</b>	INCORRECT SIGNAL RECOGNITION BY THE MODULATION BOARD MICRO-PROCESSOR.	IF THE MODULATION BOARD DOES NOT RESET THE ERROR AUTOMATICALLY, REPLACE IT.	AUTOMATIC.
<b>E22</b>	<b>PARAMETERS PROGRAMMING REQUEST</b>	MICRO-PROCESSOR MEMORY LOSS.	PARAMETERS REPROGRAMMING.	MANUAL RESET (CUT OFF THE TENSION).
<b>E31</b>	<b>INCOMPATIBLE REMOTE CONTROL</b>	FUNCTION ACTIVE WHEN THE CONNECTED REMOTE CONTROL IS NOT COMPATIBLE WITH THE P.C.B.	REPLACE IT WITH A COMPATIBLE ONE.	AUTOMATIC.





## 2. MAINTENANCE

CODE	FAULT	POSSIBLE CAUSE	SOLUTION	RESET
E32	<b>COMMUNICATION ERROR BETWEEN THE BOILER BOARD AND THE MODBUS BOARD</b>	NO ELECTRICAL CONNECTION;	CHECK THE WIRING;	AUTOMATIC.
		MODBUS BOARD BROKEN;	REPLACE IT;	
E35	<b>RESIDUAL FLAME</b>	FAULTY DETECTION ELECTRODE;	CLEAN IT OR REPLACE IT;	MANUAL RESET (PRESS THE RESET  KEY).
		FAULTY DETECTION ELECTRODE CABLE;	REPLACE IT;	
		FAULTY MODULATION BOARD.	REPLACE IT.	
E40	<b>SUPPLY VOLTAGE</b>	SUPPLY VOLTAGE OFF THE OPERATION RANGE ( $\leq 160$ VOLTS).	CHECK THE POWER SUPPLY NETWORK (THE ERROR DEACTIVATES AUTOMATICALLY AS SOON AS THE SUPPLY VOLTAGE FALLS BACK WITHIN THE REQUESTED LIMITS).	AUTOMATIC.
E52	<b>COMMUNICATION FAULT BETWEEN MODBUS CONTROLLER AND MODBUS CONTROL UNIT</b>	NO ELECTRICAL CONNECTION;	CHECK THE WIRING;	AUTOMATIC.
		MODBUS CONTROL UNIT BROKEN.	REPLACE IT;	



## 2.2.13. ACTIVE FUNCTIONS SIGNALLING CODES

CODE	FUNCTION	DESCRIPTION
F07	<b>CHIMNEY SWEEP ACTIVE</b>	YOU CAN ACTIVATE IT BY HOLDING FOR 7 SECONDS THE RESET  KEY AND YOU CAN DEACTIVATE IT BY TURNING OFF THE BOILER OR BY PRESSING THE KEY  . THIS FUNCTION BRINGS THE BOILER TO ITS MINIMUM AND MAXIMUM HEATING POWER FOR 15 MINUTES DEACTIVATING THE MODULATION FUNCTION. GENERALLY USED FOR PERFORMING THE COMBUSTION AND CALIBRATION TESTS.
F08	<b>HEATING CIRCUIT ANTI-FREEZE</b>	IT ACTIVATES AUTOMATICALLY WHEN THE HEATING PROBE DETECTS A TEMPERATURE OF 12°C. THE BOILER OPERATES AT MINIMUM GAS PRESSURE WITH THE DIVERTER VALVE SET TO 'WINTER' MODE. IT DEACTIVATES WHEN THE HEATING FLOW WATER TEMPERATURE REACHES THE 30°C AND, IN PRESENCE OF A RETURN SENSOR, WHEN THE HEATING RETURN WATER TEMPERATURE REACHES THE 20°C.
F09	<b>D.H.W CIRCUIT ANTI-FREEZE</b>	THE FUNCTION IS AUTOMATICALLY ENABLED WHEN THE D.H.W SENSOR DETECTS A TEMPERATURE OF 4 °C. THE BOILER OPERATES AT MINIMUM GAS PRESSURE WITH THE DIVERTER VALVE IN THE 'SUMMER' POSITION. THE FUNCTION IS DISABLED WHEN THE TEMPERATURE DETECTED BY THE SENSOR IS 8 °C IN THE D.H.W CIRCUIT.
F28	<b>ANTI-LEGIONELLA</b>	THE FUNCTION IS ACTIVATED FOR THE FIRST TIME, 60 MINUTES AFTER THAT THE BOILER HAS BEEN ELECTRICALLY POWERED. STARTING FROM THAT MOMENT IT COMES AUTOMATICALLY INTO OPERATION EVERY 7 DAYS, BRINGING THE HOT WATER TEMPERATURE OF THE STORAGE CYLINDER UP TO 60°C. THIS FUNCTION IS ENABLED INDEPENDENTLY FROM THE CONTACT TO THE CYLINDER CLOCK, PROVIDING THAT THE RELATIVE PARAMETER (P15) IS ENABLED.
F33	<b>SYSTEM AIR RELEASE CYCLE</b>	IT ACTIVATES AUTOMATICALLY AT FIRST BOILER START-UP, PERFORMING FOR 5 MINUTES A SERIES OF CYCLES DURING WHICH THE PUMP IS ACTIVATED FOR 40 SECONDS AND DEACTIVATED FOR 20 SECONDS. REGULAR OPERATION IS ALLOWED ONLY AFTER THIS FUNCTION IS COMPLETED. IT CAN ALSO ACTIVATE DURING NORMAL BOILER OPERATION, IF THE WATER PRESSURE SWITCH CONFIRMATION IS MISSING, WHEN THE CONTACT IS RE-CLOSED, A 2 MINUTES RELEASE CYCLE WILL BE PERFORMED.

### 2.2.14. GAS TYPE TRANSFORMATION



#### ATTENTION

Make sure that the gas adduction tube is suitable for the new type of fuel with which the boiler is supplied.

- > loosen the two screws '1' (fig.1) from the fastening bush, and remove the air suction tube;
- > unscrew the tube coupling that connects the gas valve to venturi;
- > unscrew the three fastening screws '2' (fig.1) of the venturi 'V' (fig.1) using a 10 key, as shown in figure 2;
- > remove the two screws '3' (fig.3) and apply pressure on the rear side of venturi 'C' (fig.3);
- > replace the body venturi with the one suitable for the type of supply gas (cod. 30-00424 for methane / cod. 30-00426 for GPL) and make sure the tooth 'D' (fig.3) is adjusted downwards on the aluminium ring nut (see fig.3);
- > remount the components following the demounting operations in reverse making sure that gasket 'G' is re-assembled as shown in fig.1;
- > set the boiler to operate with the new type of gas, changing the value of the parameter P02 'GAS TYPE SELECTION' from the control panel (see chapters 'DIGITECH CS PARAMETERS TABLE' and 'ACCESSING AND PROGRAMMING THE PARAMETERS');
- > adjust the CO<sub>2</sub> combustion value as indicated in chapter 'CO<sub>2</sub>VALUECHECKANDCALIBRATION'.

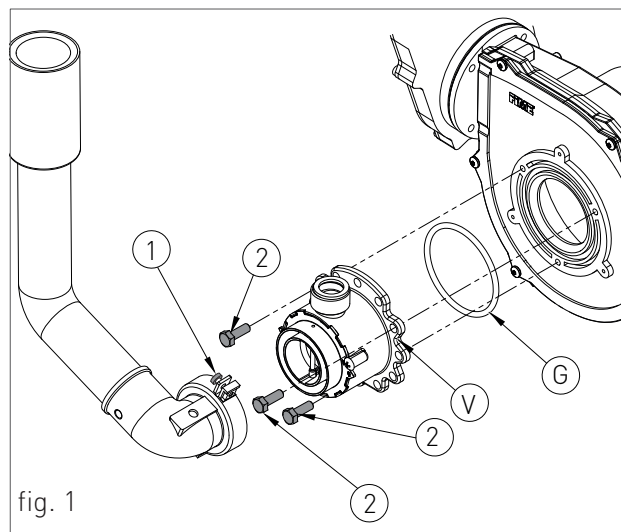


fig. 1

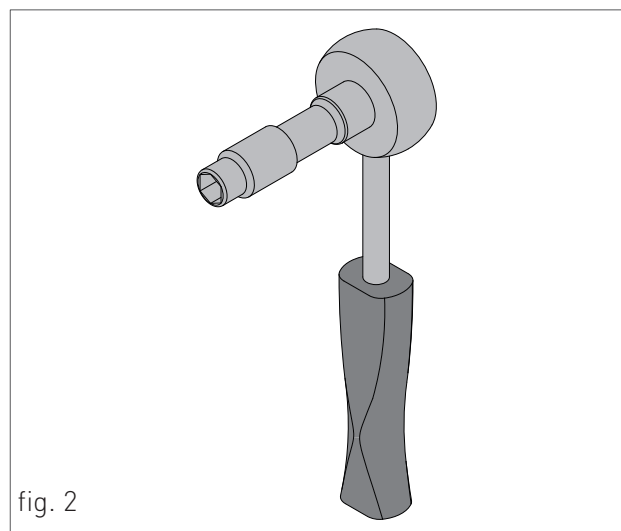


fig. 2

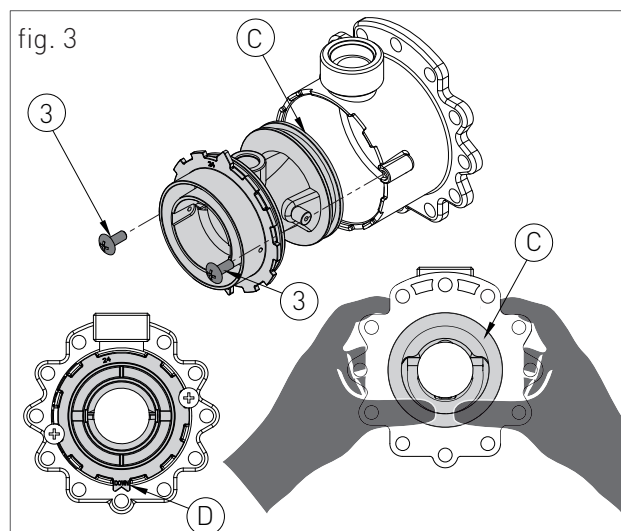


fig. 3



## 3. USER SECTION

The operations described in this section are addressed to all those who will use the machine. The machine must be used and accessed only by qualified operators that fully read and understood the User section, paying particular attention to the warnings.

## 3.1. USE

### 3.1.1. GENERAL USE WARNINGS

**WARNING**

*Before starting the boiler the User must make sure that the First start-up certificate has the stamp of the technical Support Centre proving the testing and the first start-up of the boiler.*

**WARNING**

*In order to take advantage of the guarantee provided by the manufacturer, the customer should carefully and exclusively observe the instructions given in the USER section of the manual.*

**ATTENTION**

*This machine may be used only for the purpose for which it has been designed: heat water to a temperature below boiling point at atmospheric pressure. Any other use is considered wrong and dangerous. The manufacturer is excluded from any contractual or out of contract responsibility for damage caused to people, animals or property due to incorrect use.*

**DANGER**

*The boiler should not be used by persons (including children) with reduced physical, sensory or mental capacities or without suitable knowledge or experience unless they are instructed on the device use or monitored by a person responsible for their safety.*

**DANGER**

*DO NOT obstruct the air vents of the location in which the gas device is installed to prevent the formation of toxic explosive mixes.*

**DANGER**

*If you sense a gas odour in the location in which the boiler is installed, proceed as follows:*

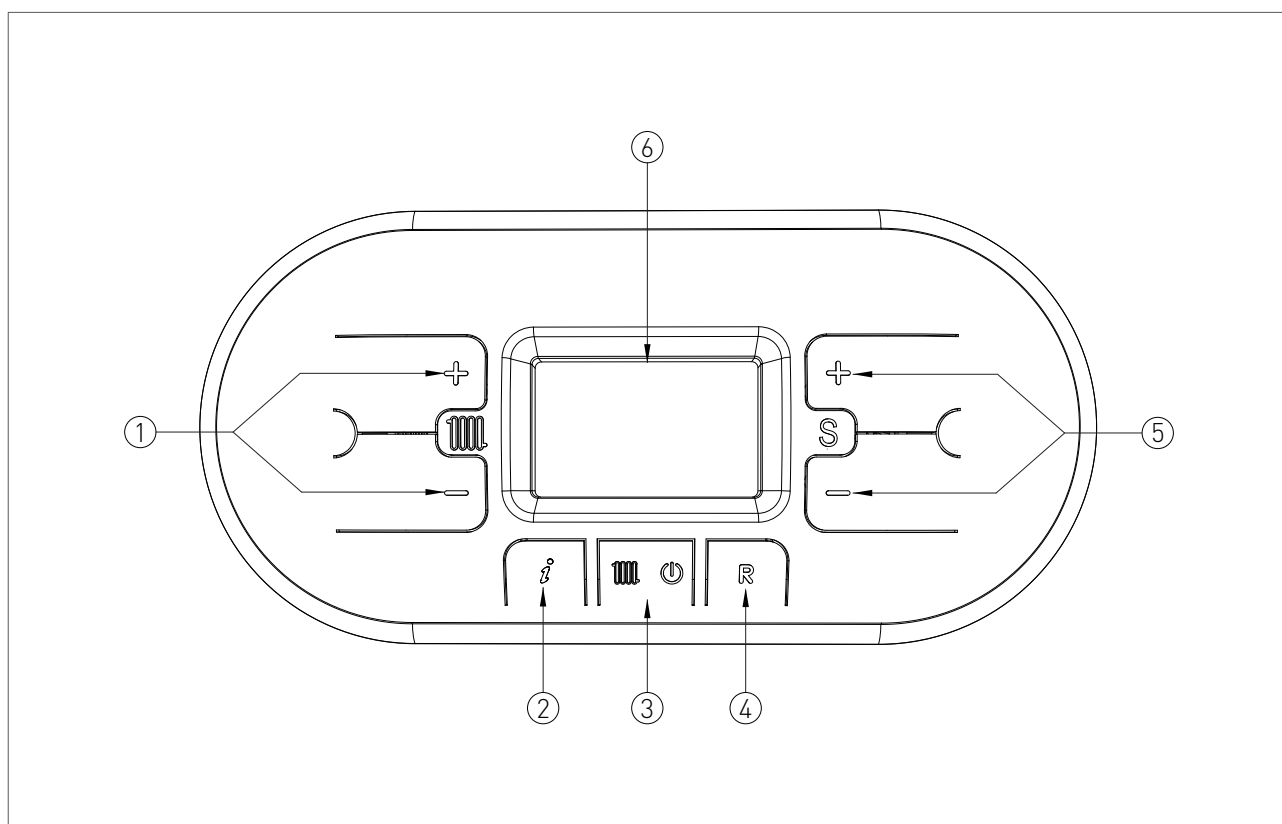
- › DO NOT use electrical switches, the telephone or any other device that might generate electrical discharges or sparks;
- › Immediately open all doors and windows to create an air exchange that can quickly clean the location;
- › Close the gas valves;
- › Request immediate intervention of qualified staff.

**DANGER**

*The use of the electrical power boiler implies respecting some fundamental rules such as:*

- › DO NOT touch the device with wet and/or humid parts and/or with bare feet;
- › DO NOT pull the electrical cables;
- › DO NOT leave the device exposed to atmospheric agents (rain, sun, etc.) unless specifically intended;
- › in case of cable damage, turn off the device and contact qualified professional staff to replace it.

## 3.1.2. CONTROL PANEL



## KEY

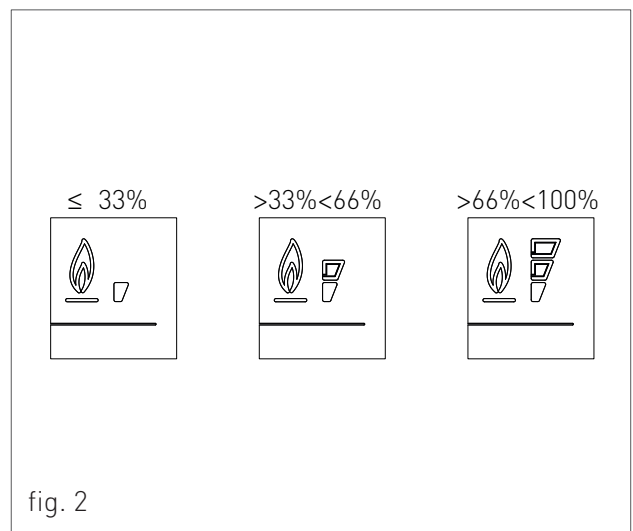
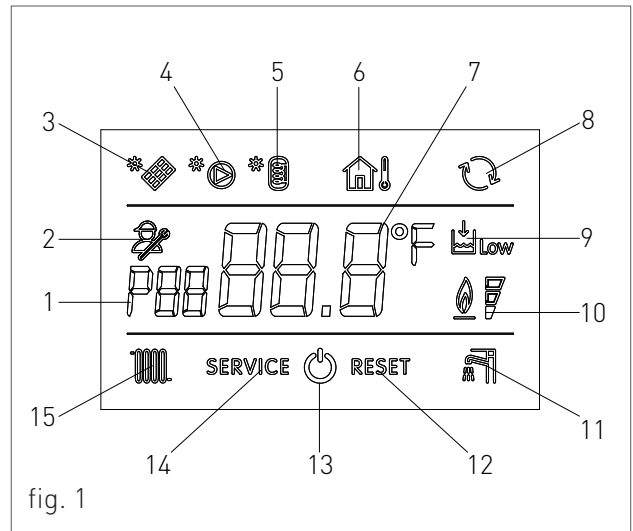
## 6. DISPLAY

1. HEATING TEMPERATURE ADJUSTMENT KEYS
2. INFO KEY: PRESS ONCE TO VIEW THE TEMPERATURES AND OTHER INFORMATION (see chapter 'INFO MENU DISPLAY') - HOLD FOR 5 SECONDS, IN OFF OPERATING MODE, TO VIEW THE LAST 5 FAULTS
3. OPERATING MODE SELECTION KEY: ONLY HEATING / OFF
4. RESET KEY: FAULTS RESET - CHIMNEY SWEEP FUNCTION ACTIVATION (HOLD FOR 7 SECONDS)
5. VALUE OF THE PARAMETERS ADJUSTMENT KEY / HOLD THE KEYS AT THE SAME TIME FOR 5 SECONDS TO ACTIVATE DISPLAY BACK LIGHT FOR 10 MINUTES

#### 3.1.3. DISPLAY ICONS

##### KEY






1. INDICATION OF PARAMETER NUMBER OR DISPLAYED INFO CODE
2. PARAMETERS PROGRAMMING FUNCTION ACTIVE
3. SIGNALLING CONNECTED SOLAR BOARD / SOLAR COLLECTOR TEMPERATURE DISPLAY (d5)
4. SOLAR PUMP ACTIVE
5. BOILER LOWER TEMPERATURE DISPLAY (d6) / BOILER UPPER TEMPERATURE DISPLAY (d7)
6. EXTERNAL PROBE INSTALLED / EXTERNAL PROBE TEMPERATURE (d1)
7. TEMPERATURE DISPLAY / SET POINT / PARAMETER VALUE
8. OPEN THERM COMMUNICATION PRESENT (REMOTE CONTROL / AREA CONTROL UNIT)
9. INSUFFICIENT SYSTEM WATER PRESSURE SIGNALLING
10. FLAME PRESENT SIGNALLING / IT ALSO INDICATES, ON 3 PERCENTAGE LEVELS, THE MODULATING POWER LEVEL OF THE BOILER (fig.2)
11. OPERATION IN DOMESTIC MODE ENABLED
12. ERROR DISPLAY THAT CAN BE RESET
13. OFF OPERATING MODE
14. ERROR DISPLAY THAT CAN NOT BE RESET
15. OPERATION IN HEATING MODE ENABLED














### 3.1.4. INFO MENU DISPLAY DATA


To view the boiler data from info menu you just have to press the INFO  key. The info code will be displayed on the left side of the screen and its relative value will be displayed on the centre of the screen. Use keys  and  of the heating circuit  to scroll through the list of displayed data. To exit display mode press the INFO  key.

#### LIST OF DISPLAYED DATA

INFO CODE	ICON	DESCRIPTION
d0		DOMESTIC CIRCUIT PROBE TEMPERATURE
d1		EXTERNAL PROBE TEMPERATURE
d2		FAN SPEED
d3		BOTTOM AREA PROBE TEMPERATURE [IF AREA BOARD INSTALLED]
d4		RETURN PROBE TEMPERATURE
d5		SOLAR COLLECTOR TEMPERATURE [IF SOLAR BOARD INSTALLED] (SCS)
d6		SOLAR BOILER TEMPERATURE (BOTTOM) [IF SOLAR BOARD INSTALLED] (SBSI)
d7		SOLAR BOILER TEMPERATURE (TOP) [IF SOLAR BOARD INSTALLED] (SBSS)
d8		SOLAR COLLECTOR PROBE TEMPERATURE 2 [IF SOLAR BOARD INSTALLED] (SCS2)
d9		EXTRA SOLAR BOILER TEMPERATURE [IF SOLAR BOARD INSTALLED] (SBS3)
dA		INERTIAL STORAGE SENSOR TEMPERATURE
dB		LOW-TEMPERATURE HEATING CIRCUIT RETURN SENSOR TEMPERATURE (IN HYBRID SYSTEM BOX MODE) - HEATING PUMP RETURN SENSOR TEMPERATURE (IN HYBRID DOMESTIC SYSTEM MODE)
dC		HYBRID SYSTEM BOX D.H.W. TANK SENSOR TEMPERATURE - HOT WATER TEMPERATURE OUT OF THE REMOTE TANK TO THE BOILER (ONLY FOR HYBRID DOMESTIC SYSTEM WITH OPTIONAL SENSOR)
dD		POWER SUPPLIED BY THE HEATING PUMP IN KW/H (ONLY FOR HYBRID DOMESTIC SYSTEM)
dE		HEATING FLOW RATE DISPLAY EXPRESSED IN L/MIN (IF THERE IS A FLOWMETER).

### 3.1.5. START-UP



Before starting the boiler make sure that it is powered and that the gas tap below the boiler is open.


To start the boiler press the function key  and select the desired operating mode. If the symbol is displayed fixed, it means that the function was activated.

### 3.1.6. OPERATING MODE

#### SUMMER MODE



In this mode the boiler meets only the demands of domestic hot water.


To switch the boiler to SUMMER operating mode, press the function key , the symbol  will appear fixed on the display, indicating that the function is enabled.

Whenever hot domestic water is needed the automatic start-up system will start the burner; this is indicated by displaying the symbol  blinking.

#### ONLY HEATING MODE




In this mode the boiler meets only the demands of heating.



To switch the boiler to ONLY HEATING operating mode, press the function key , the symbol  will appear fixed on the display, indicating that the function is enabled.

Whenever heating energy is needed to heat the rooms the automatic start-up system will start the burner; this is indicated by displaying the symbol  blinking.




#### WINTER MODE



In this mode the boiler meets the demands of heating and of domestic hot water.

To switch the boiler to WINTER operating mode, press the function key , the symbols  and  will appear fixed on the display, indicating that the function is enabled.

Whenever heating energy and domestic hot water are needed the automatic start-up system will start the burner; this is indicated by displaying the symbol  and  blinking.




#### ADJUSTING THE HEATING TEMPERATURE



You can adjust the temperature using keys  and  of the heating circuit .

- press key  to decrease the temperature.
- press key  to increase the temperature.

The heating temperature adjustment field ranges from 30 °C to 80 °C (25 °C – 45 °C for floor systems).

#### DOMESTIC HOT WATER TEMPERATURE ADJUSTMENT

You can adjust the temperature using keys  and  of the domestic circuit .

- press key  to decrease the temperature.
- press key  to increase the temperature.



The hot domestic water temperature adjustment field ranges from 35 °C to 60 °C.

#### OFF MODE

In this mode the boiler no longer meets the heating and domestic hot water demands, the anti-freeze,



pump anti-locking and diverter valve anti-locking systems still remain active.

To switch the boiler to OFF operating mode, press the function key , the symbol  will appear fixed on the display, indicating that the function is enabled (for non condensing models will appear the message 'OFF').

If the boiler was previously running, it will be turned off and the post-ventilation and post-circulation functions will be enabled.

If you have to deactivate the boiler for a long period of time, proceed as follows:

- › contact the Technical support centre that will empty the water system, where no anti-freeze is intended, and will cut off the power, water and gas supply.
- › Or leave the boiler in OFF operating mode keeping active the electrical and gas supplies so that the anti-freeze function may activate.

### 3.1.7. INFORMATIONAL NOTE ON ANTI-FREEZE FUNCTION

The boiler is protected against freezing thanks to the electronic board preparation with functions that start the burner and heat the concerned parts when their temperature goes below the minimum pre-set values.



#### WARNING



*This function is available only if:*

- › the boiler is powered;
- › the gas supply is open;
- › the pressure of the system is proper;
- › the boiler is not blocked.




### 3.1.8. FAULT SIGNALLING CODES

The boiler might signal some faults by displaying a code. Below you have a list of the codes and of the operations to be performed in order to unlock the boiler.

CODE	ICON	FAULT	INTERVENTION
E01	RESET	<b>FLAME BLOCK</b>	<p>MAKE SURE THAT THE BOILER AND CONTACTOR GAS VALVES ARE OPEN.</p> <p>PRESS THE RESET  BUTTON ON THE CONTROL PANEL TO RESET THE FAULT, AS SOON AS THE ERROR CODE DISAPPEARS FROM THE DISPLAY, THE BOILER WILL START AUTOMATICALLY.</p> <p>IF THE BLOCK PERSISTS CONTACT THE TECHNICAL SUPPORT CENTRE.</p>
E02	RESET	<b>SAFETY THERMOSTAT (95 °C)</b>	CONTACT THE TECHNICAL SUPPORT CENTRE.
E03	RESET	<b>FUMES SAFETY THERMOFUSE (102 °C)</b>	CONTACT THE TECHNICAL SUPPORT CENTRE.
E04	 Low	<b>WATER MISSING IN THE SYSTEM</b>	<p>IF THE SYSTEM PRESSURE IS BELOW 1.2 BAR, FILL THE SYSTEM AS DESCRIBED IN CHAPTER "SYSTEM FILLING".</p> <p>IF THE BLOCK PERSISTS CONTACT THE TECHNICAL SUPPORT CENTRE.</p>
E05	SERVICE	<b>HEATING PROBE</b>	CONTACT THE TECHNICAL SUPPORT CENTRE.
E06	SERVICE	<b>DOMESTIC CIRCUIT PROBE</b>	CONTACT THE TECHNICAL SUPPORT CENTRE.
E10	SERVICE	<b>LOW FLOW RATE</b>	CONTACT THE TECHNICAL SUPPORT CENTRE.
E14	SERVICE	<b>AIR PRESSURE SWITCH</b>	CONTACT THE TECHNICAL SUPPORT CENTRE.
E15	SERVICE	<b>RETURN PROBE</b>	CONTACT THE TECHNICAL SUPPORT CENTRE.
E16	SERVICE	<b>ELECTRIC FAN</b>	CONTACT THE TECHNICAL SUPPORT CENTRE.
E18	SERVICE	<b>INSUFFICIENT CIRCULATION</b>	CONTACT THE TECHNICAL SUPPORT CENTRE.



CODE	ICON	FAULT	INTERVENTION
E21	<b>SERVICE</b>	<b>GENERAL INTERNAL BOARD ERROR</b>	<p>CUT OFF THE POWER SUPPLY FROM THE MAIN SWITCH AND THEN RESTORE IT, AS SOON AS THE ERROR CODE DISAPPEARS, THE BOILER WILL RESTART AUTOMATICALLY.</p> <hr/> <p>IF THE BLOCK PERSISTS CONTACT THE TECHNICAL SUPPORT CENTRE.</p>
E22	<b>SERVICE</b>	<b>PARAMETERS REQUEST</b> <b>PROGRAMMING</b>	<p>CUT OFF THE POWER SUPPLY FROM THE MAIN SWITCH AND THEN RESTORE IT, AS SOON AS THE ERROR CODE DISAPPEARS, THE BOILER WILL RESTART AUTOMATICALLY.</p> <hr/> <p>IF THE BLOCK PERSISTS CONTACT THE TECHNICAL SUPPORT CENTRE.</p>
E31	<b>SERVICE</b>	<b>INCOMPATIBLE REMOTE CONTROL</b>	CONTACT THE TECHNICAL SUPPORT CENTRE.
E32	<b>SERVICE</b>	<b>COMMUNICATION ERROR BETWEEN THE BOILER BOARD AND THE MODBUS BOARD</b>	CONTACT THE TECHNICAL SUPPORT CENTRE.
E35	<b>RESET</b>	<b>RESIDUAL FLAME</b>	<p>PRESS THE RESET  BUTTON ON THE CONTROL PANEL TO RESET THE FAULT, AS SOON AS THE ERROR CODE DISAPPEARS FROM THE DISPLAY, THE BOILER WILL START AUTOMATICALLY.</p>
E40	<b>SERVICE</b>	<b>SUPPLY VOLTAGE</b>	CONTACT THE TECHNICAL SUPPORT CENTRE.
E52	<b>SERVICE</b>	<b>COMMUNICATION FAULT BETWEEN MODBUS CONTROLLER AND MODBUS CONTROL UNIT</b>	CONTACT THE TECHNICAL SUPPORT CENTRE.



### 3.1.9. ACTIVE FUNCTIONS SIGNALLING CODES

CODE	FUNCTION	INTERVENTION
F08	<b>H E A T I N G</b> <b>ANTI-FREEZE</b> <b>FUNCTION ACTIVE</b>	WAIT UNTIL THE OPERATION IS COMPLETED
F33	<b>SYSTEM AIR</b> <b>RELEASE CYCLE</b> <b>IN PROGRESS</b>	WAIT UNTIL THE OPERATION IS COMPLETED





**RADIANT BRUCIATORI s.p.a.**

Via Pantanelli, 164/166 - 61025 Loc. Montelabbate (PU)

Tel. +39 0721 9079.1 • fax. +39 0721 9079279

e-mail: [info@radiant](mailto:info@radiant) • Internet: <http://www.radiant.it>