

# NEW Hydronic Heat Pump Ri-HL

## Heat Pump Models

RI-HL 06

RI-HL 09

RI-HL 12



It can be combined with any Radiant Hybrid Hydronic Systems

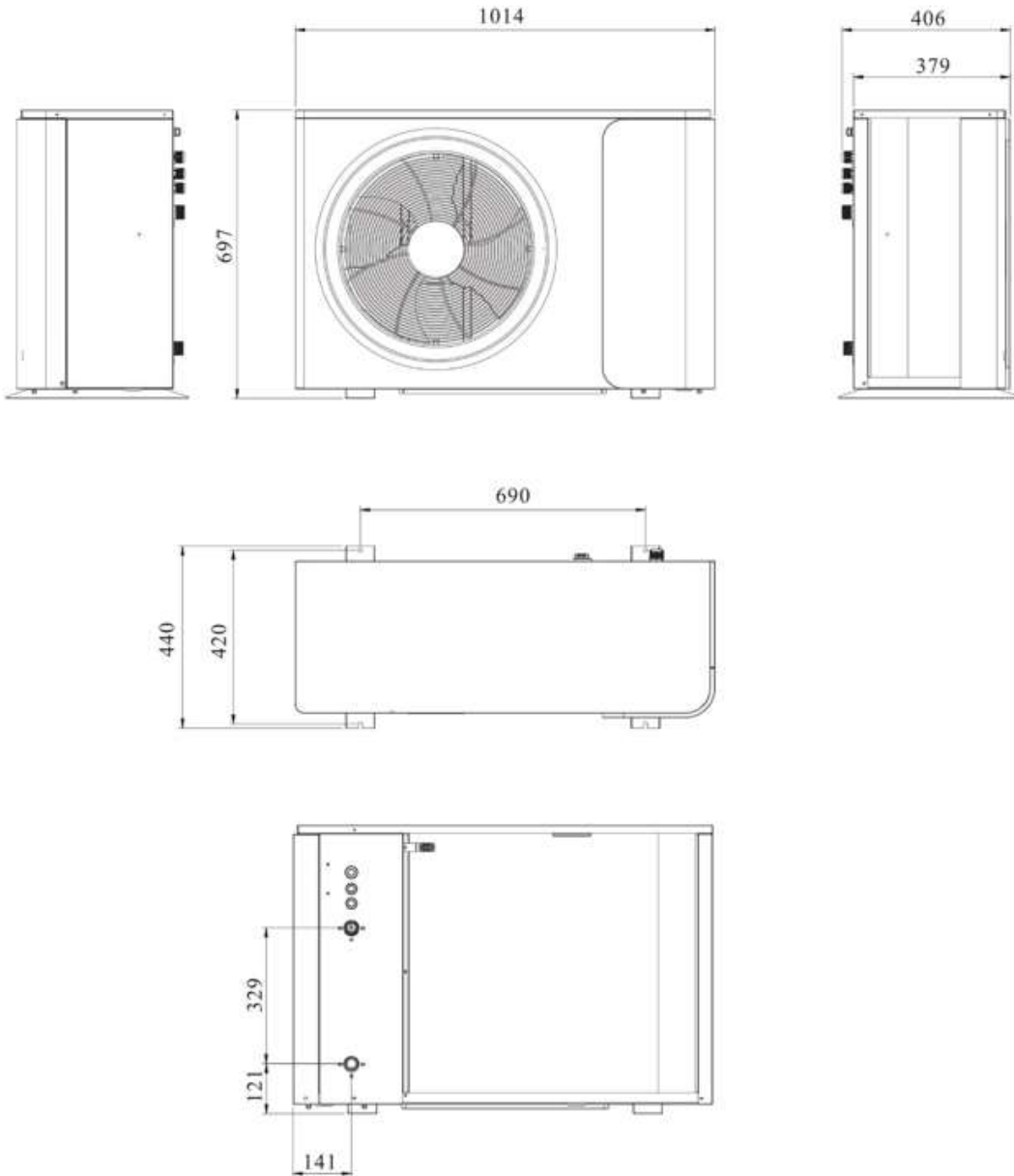
Model		Ri-HL06	Ri-HL09	Ri-HL12
<b>IP Protection Rating</b>	IP	IPX4	IPX4	IPX4
<b>Electrical Specifications</b>				
<b>Voltage/frequency/single phase</b>	V/Hz/Fase	230V/50Hz	230V/50Hz	230V/50Hz
<b>Performance</b>				
<b>Heating Capacity min/max (1)</b>	kW	3.3~7.2	5.0~9.7	5.9~11.9
<b>Heating Input Power min/max (1)</b>	kW	0.7~1.6	1.0~2.4	1.3~2.9
<b>C.O.P min/max (1)</b>	W/W	4.26~ 4.87	4.01~4.57	4.05~4.67
<b>Heating capacity min/max (2)</b>	kW	3.1~5.9	4.2~8.9	6~11.5
<b>Heating Input Power min/max (2)</b>	kW	0.9~1.9	1.3~2.9	1.6~3.6
<b>C.O.P min/max (2)</b>	W/W	3.41~3.78	3.03~3.4	3.19~3.66
<b>SCOP – Average climatic conditions, low water temperature</b>	W	4,66	4,62	4,57
<b>Energy Efficiency</b>				
		A+++	A+++	A+++
<b>Cooling Capacity min/max (3)</b>	kW	3.1~7.1	4.2~9.1	5.1~12.2
<b>Cooling Input Power min/max (3)</b>	kW	0.82~1.9	1.2~2.9	1.34~3.4
<b>E.E.R. min/max (3)</b>	W/W	3.32~4.25	3.28~4.24	3.33~4.33
<b>Cooling capacity min/max (4)</b>	kW	1.8~4.8	3.1~7.9	4.2~8.9
<b>Cooling Input Power min/max (4)</b>	kW	0.66~2.54	1.1~3.2	1.6~3.1
<b>E.E.R. min/max (4)</b>	W/W	2.54~2.84	2.38~2.83	2.61~3.22
<b>Outdoor temperature limits – Heating mode</b>	°C	-25~43	-25~43	-25~43
<b>Outdoor temperature limits – Cooling mode</b>	°C	7~43	7~43	7~43
<b>Min/max flow temperature – Heating mode</b>	°C	20~60	20~60	20~60
<b>Min. flow temperature – Cooling mode</b>	°C	7	7	7

Model		Ri-HL06	Ri-HL09	Ri-HL12	
<b>Outdoor unit Sound Power Level</b>		dB (A)	52	53	53
<b>Components</b>					
<b>Fan</b>	Quantity	n.	1	1	1
	Air Flow	m <sup>3</sup> /h	2500	3280	3280
<b>Refrigerant gas type and quantity</b>		/kg	R32/0.75kg	R32/1.15kg	R32/1.3kg
<b>Compressor</b>	Type	/	Rotary	Rotary	Rotary
	Oil Type	type	FW68DA or equivalent	FW68DA or equivalent	FW68DA or equivalent
	Oil charge (quantity)	L	0.45L	0.65L	0.65L
	Min/max operating pressure	bar	14/42	14/42	14/42
	Compressor Electric Heater	W	30W	30W	30W
<b>Hydraulics Connections</b>					
<b>Min/rated flow rate</b>	m <sup>3</sup> /h	0.5/1.0m <sup>3</sup> /h	0.8/1.6m <sup>3</sup> /h	1.03/2.06m <sup>3</sup> /h	
<b>Hydraulics Fittings</b>	Section	1"M	1"M	1"M	
<b>Dimension and Weight</b>					
<b>Net Dimensions (LxDxH)</b>	mm	1015×380×700	1175×380×845	1175×380×845	
<b>Gross Dimensions (LxDxH)</b>	mm	1060x470x865	1225x470x1020	1230x470x1020	
<b>Net/Gross Weight</b>	kg	70/81	79/90	82/93	
<b>(1) Heating mode: outside temperature 7°C dry bulb 6°C wet bulb; inlet/outlet water temperature 30/35°C.</b>					
<b>(2) Heating mode: outside temperature 7°C d.b. 6°C w.b.; inlet/outlet water temp. 40/45°C.</b>					
<b>(3) Cooling mode: outside temperature 35°C; inlet/outlet water temperature 23/18°C.</b>					
<b>(4) Cooling mode: outside temperature 35°C; inlet/outlet water temperature 12/7°C.</b>					

## Monoblocco - Ri-HL06

Collegamento tubazioni: 1"

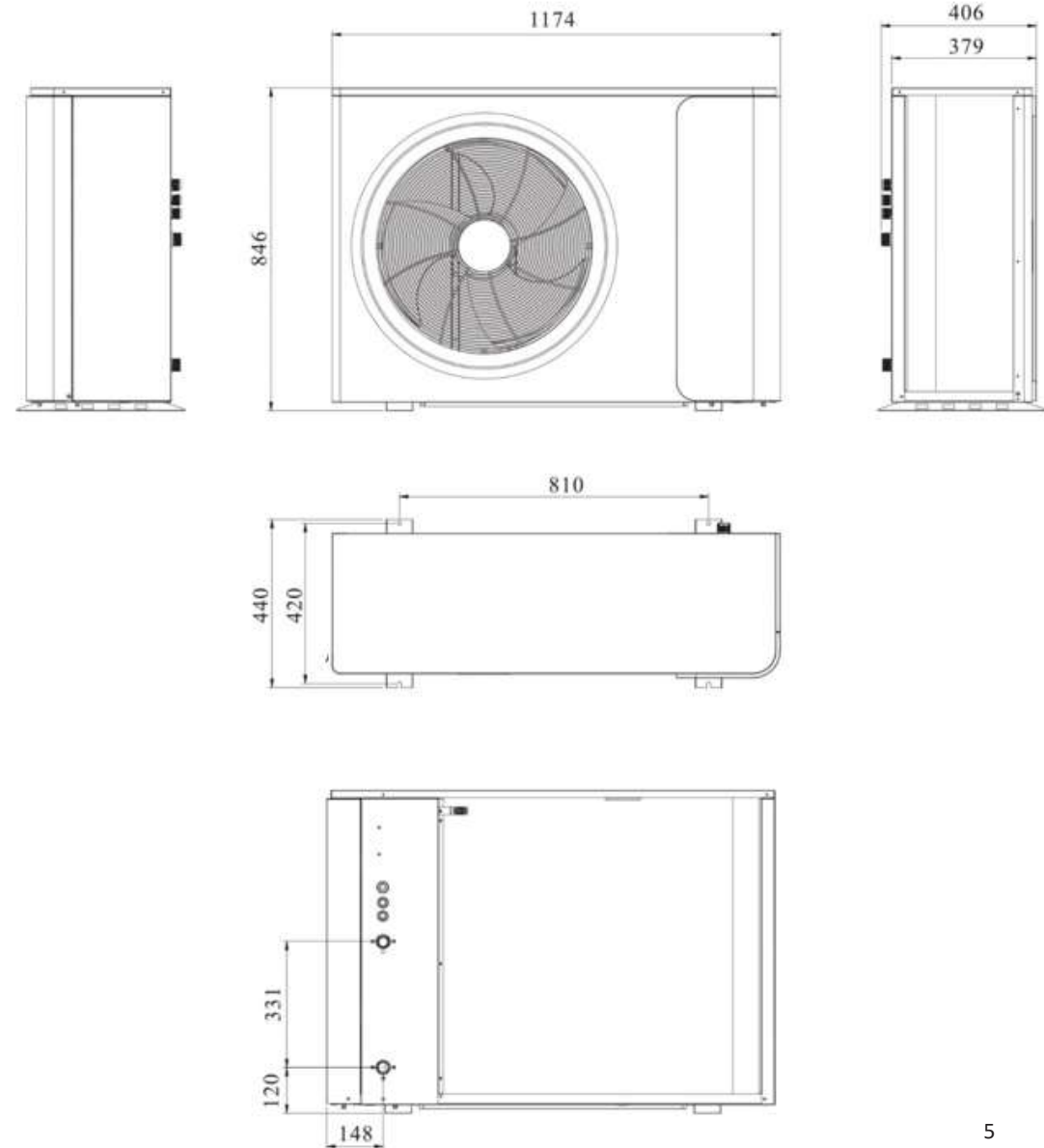
Unita: mm



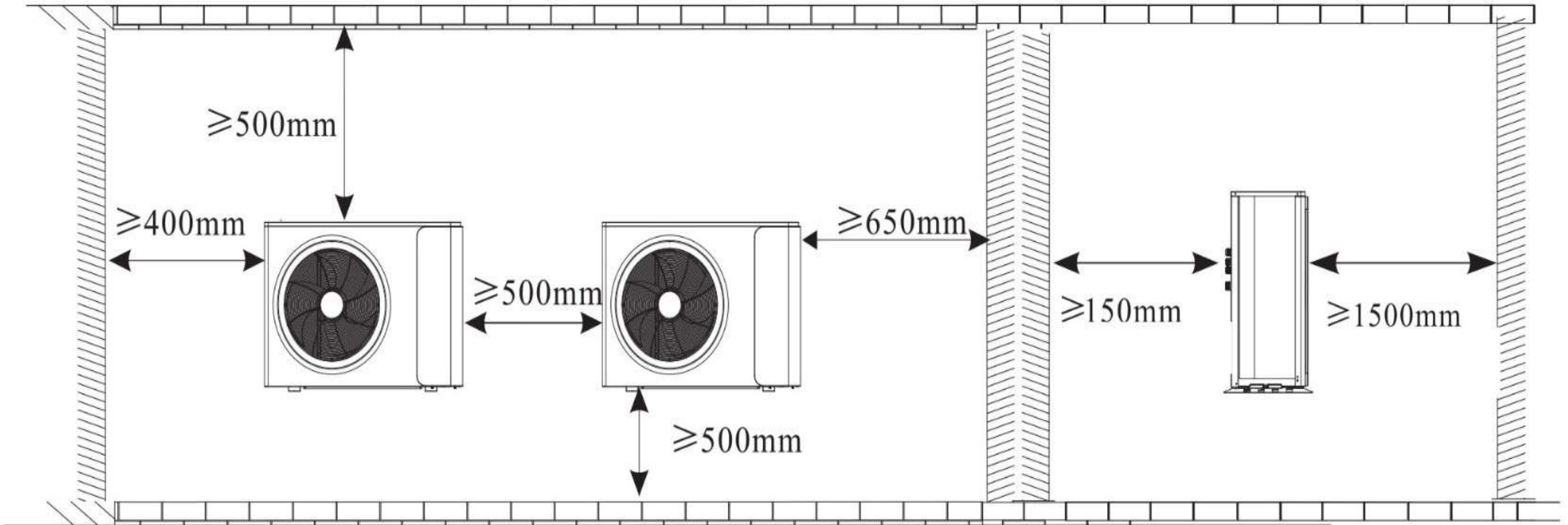
## Monoblocco - Ri-HL09 / Ri-HL12

Collegamento tubazioni: 1"

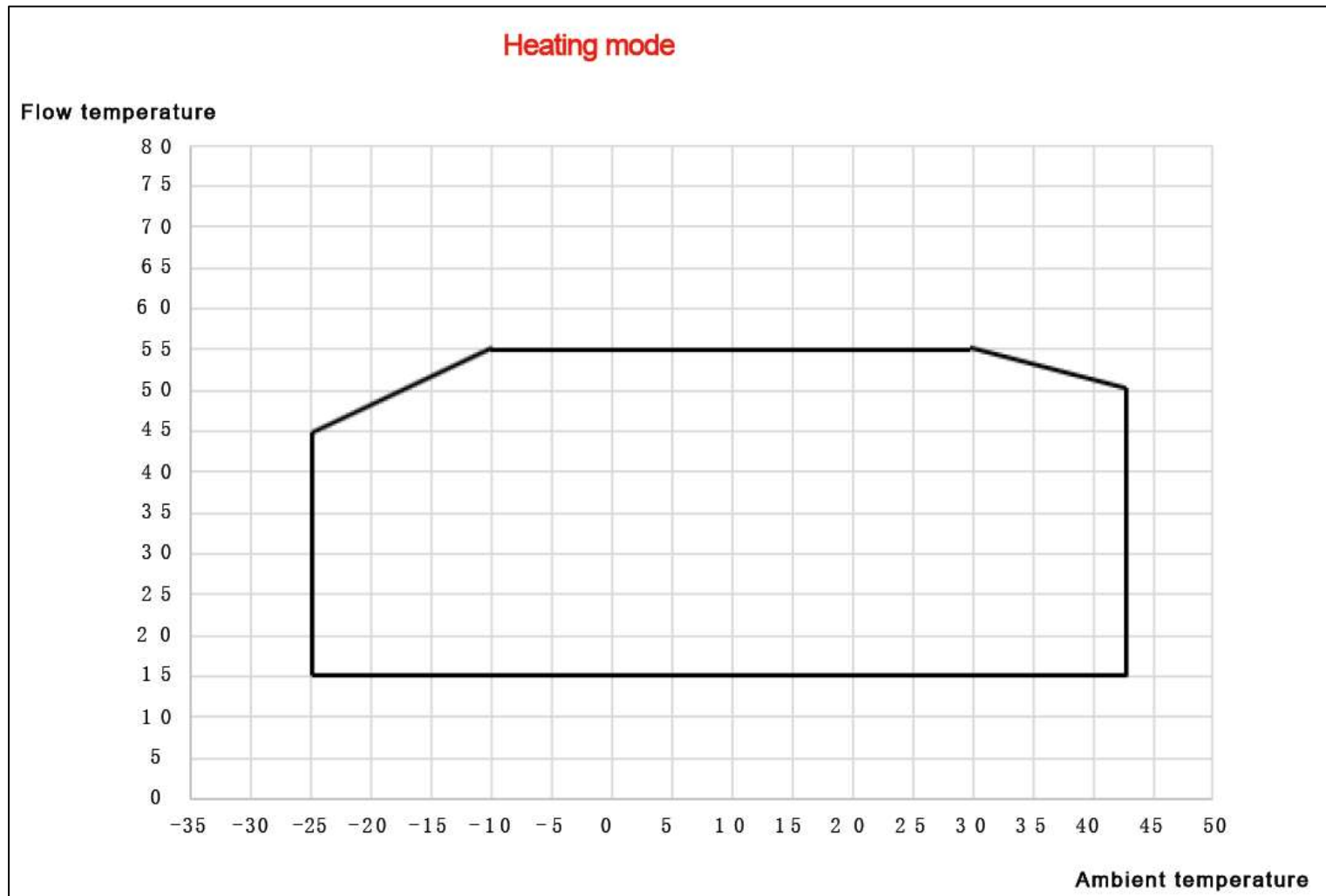
Unita: mm



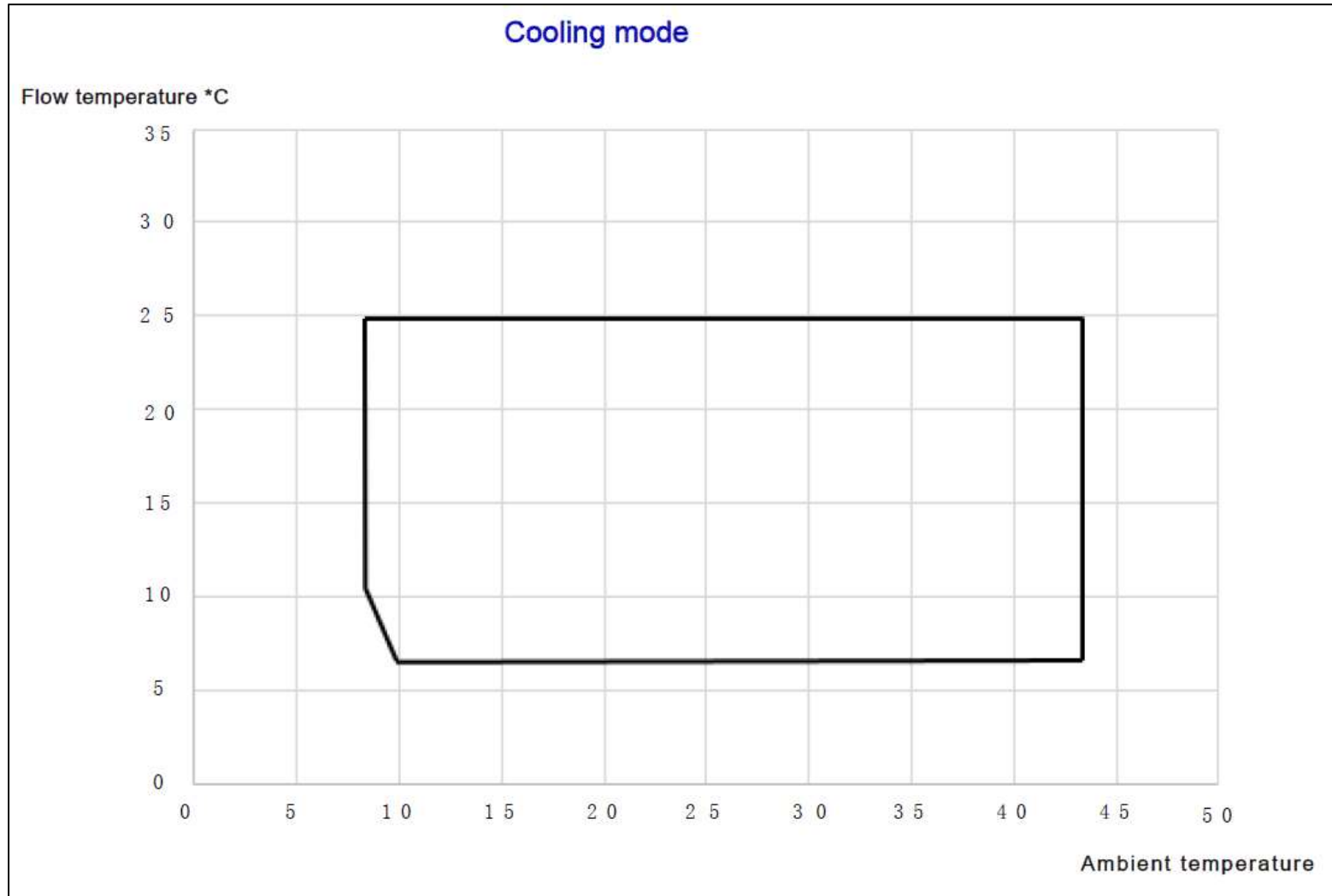
## Proper installation in compliance with the minimal technical spaces



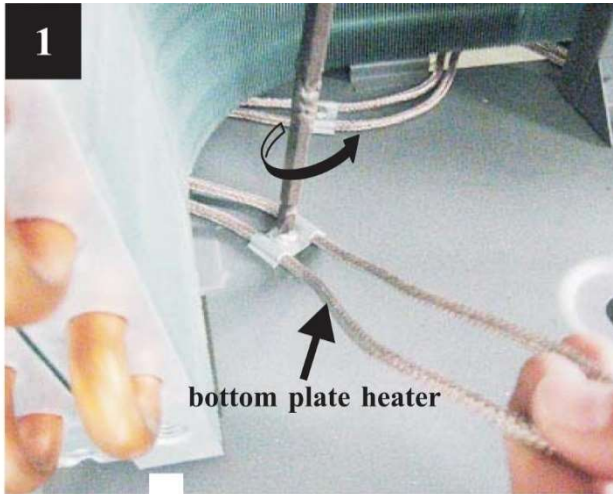
## Heating Mode Operating Limits



## Cooling Mode Operating Limits







- 1) Integrated antifreeze kit supplied as standard, with 2 electric heaters (one on the gas/water exchanger, one in the basin);
- 2) Minimum noise levels (52dB only);
- 3) It can be combined with any Radiant Hydronic Systems;
- 4) Storage tank sensor supplied as standard;
- 5) Heat Pump outside sensor supplied as standard;
- 6) If combined with DHW storage tank, legionella prevention function integrated by the boiler or the electric heater.

Operating Mode

Wifi connection status



Time

Detected Outlet Temperature

Mode selection keys to access/adjust heat pump parameters



- Remote control provided with pre-wired cable connection;
- Timer function remote control (no room thermostat function): it is possible to set the switching on and off by the control's internal clock, or to connect one or more room thermostats to the heat pump;
- Heat pump parameters programming;
- Heat pump operating mode selection;
- Climate curve selection and setting.

Integrated router for domestic WiFi network connection

Free app available for heat pump remote control.

